

bosal

**Инструкция
по монтажу тягово-сцепного
устройства шарового типа 1223 А
для автомобилей
ВАЗ-2123
“Chevrolet Niva”**

	2002-...
	1500
	75
	12,0

ФАРКОП.РФ

+7 (495) 669-38-36

.....
..... VIN



462800,

« - »

18

∴ (35363) 7-05-06

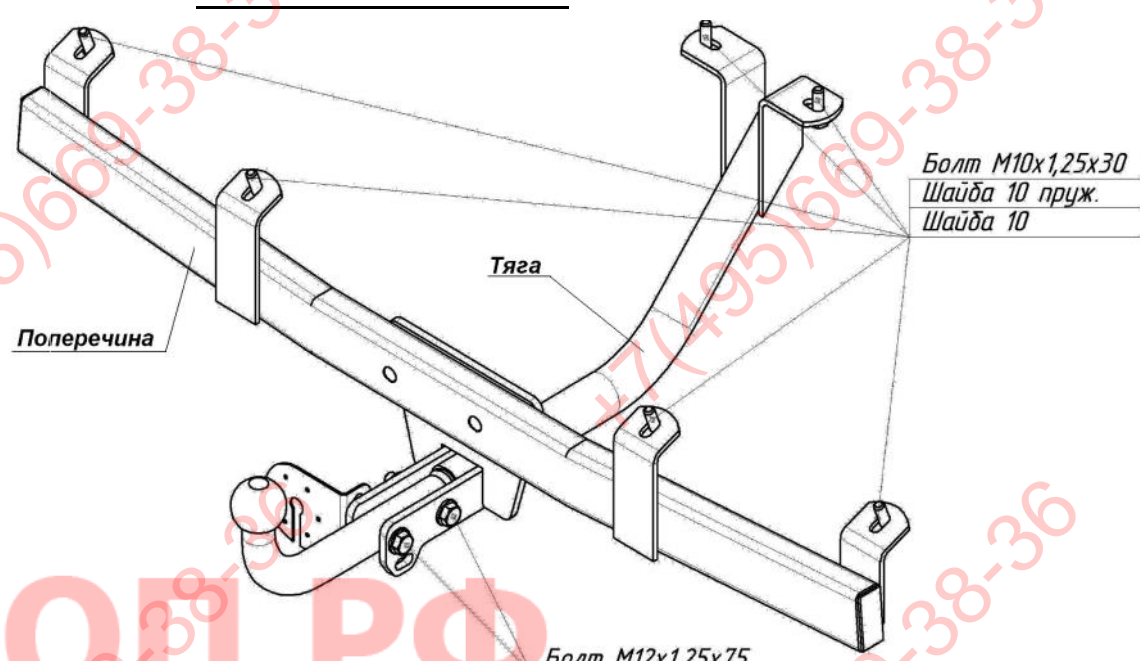
/ : (35363) 7-13-20

(495) 785-66-07

www.bosal-autoflex.ru

« - »	∴ (8182) 22-48-15
" "	" 8(8442) 98-74-98
" "	" 8(343) 379-39-89, 373-42-73
" "	" 8(343) 26-88-308
" "	" 8(3952) 710-194
" "	" 8(495) 777-54-59
" "	" 8(495)745-79-11
" "	" 8(495) 788-95-97
" "	" 8(495) 720-51-03
" "	" 8(3532) 57-99-85
" "	" 8-905-899-5012
" "	" 8(383) 291-59-60
" "	" 8(831) 279-53-24
" "	" 8(3422) 98-27-20
" "	" 8(342) 220-87-87
" "	" 8-927-002-90-06
" "	" 8(3462) 24-00-44
" "	" 8(3842) 21-14-76
" "	" 8-902-940-4151
" "	" 8(3452) 32-22-12, 41-52-62
" "	" 8-961-213-0278
" "	" 8-917-347-1700
" "	" 8(351) 269-44-75, 900-72-73
" "	" 8(3512) 773-76-91

41.55-2005.



12 1,25 60

10 1,25 30

ФАРКОП.РФ

+7 (495) 669-38-36

	1	.
	1	.
	1	.
	1	.

	3	.
10 1,25 30	6	.
12 1,25 75	2	.
12 1,25 60	2	.
12 1,25 /	4	.
10 ()	6	.
10 ()	6	.
12	8	.
VH 0185	1	.
	1	.
	1	.
130	1	.
	1	.

1			
2			
3			
4			
5			
6			
7			

