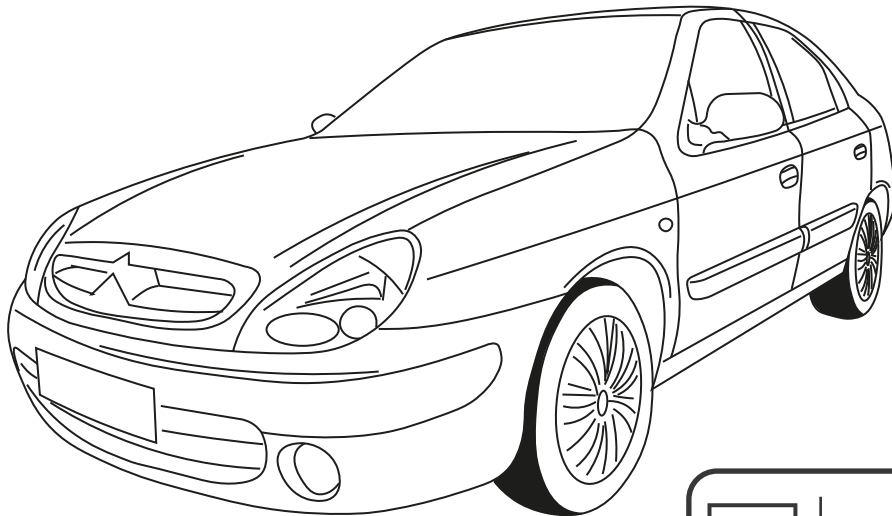




CITROEN Xsara,  
htb.

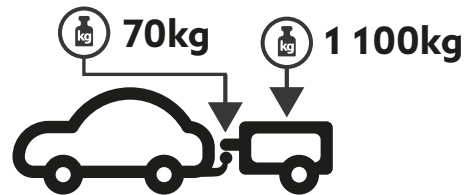


1997 - 2004



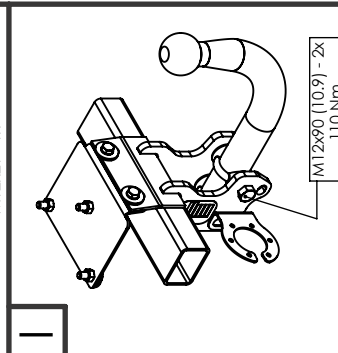
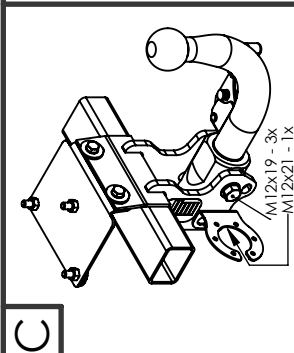
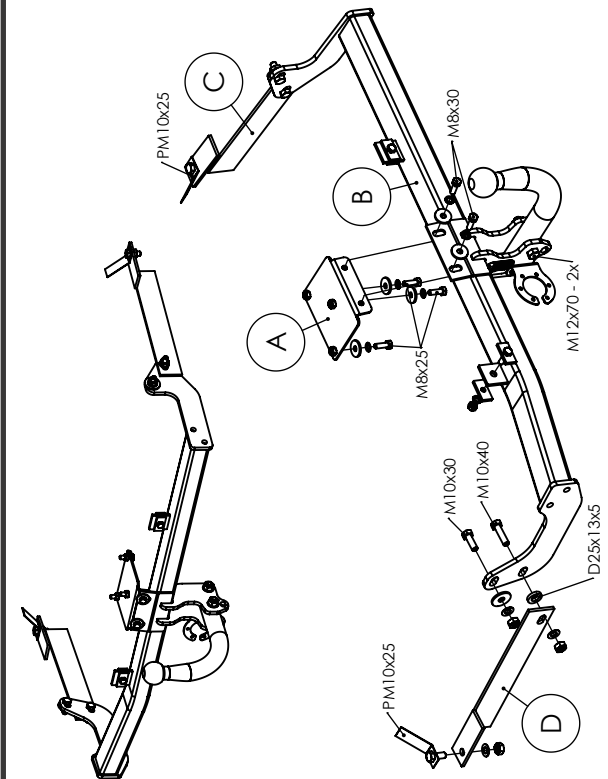
e27 | 00 0330

$$D = \frac{\text{MAX kg} \times \text{MAX kg}}{\text{MAX kg} + \text{MAX kg}} \times 0,00981$$



$$D = 6,70 \text{ kN}$$

- D25x13x5 - 2x
- 20x5-40 - 2x
- P8 - 5x
- M8 - 2x
- M8x25 - 3x
- M8x30 - 2x
- M10x30 - 2x
- M10x40 - 2x
- M12x70 - 2x (A)
- M12x90 - 2x (I)
- M12x19 - 3x (C)
- M12x21 - 1x (C)
- M12x25 - 2x
- PM8x30 - 2x
- P10 - 2x
- P12 - 2x (A)
- P12 - 4x (C)
- M10x30
- M10x40
- M12x70 - 2x
- D25x13x5
- PM10x25
- PM10x25 - 2x



A

CITROEN XSARA  
Kód: C0286 (A.I.C.) - 29. 6. 2023

AIC 400 0 4



Location  
Vlachy 142, 032 13 Vlachy



Phone  
+ 421 44 55 93 434



Website  
www.galia.sk



Email  
galia@galia.sk



Location  
Vlachy 142, 032 13 Vlachy



Phone  
+ 421 44 55 93 434



Website  
www.galia.sk



Email  
galia@galia.sk

