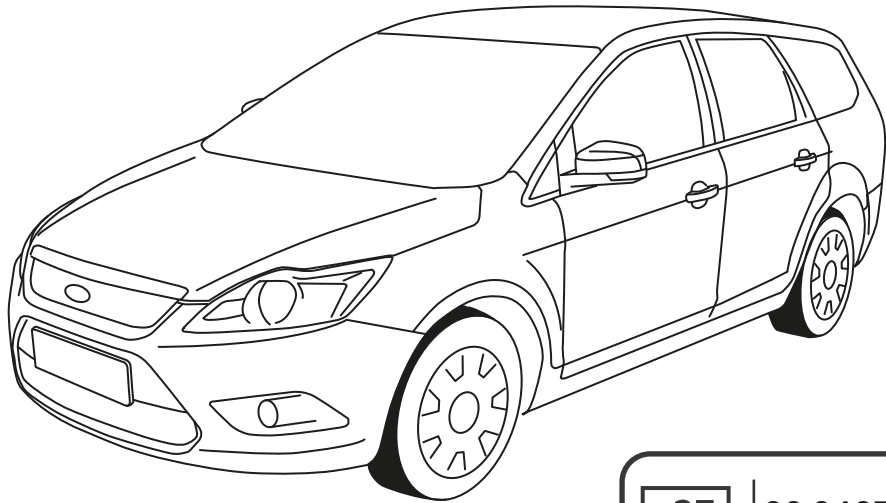


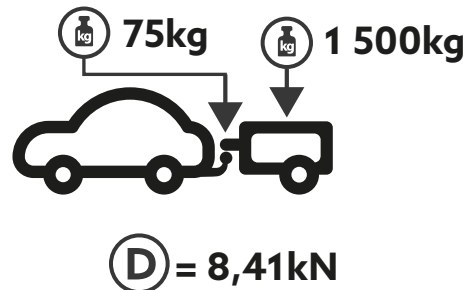
 **FORD Focus II kombi**

 **2005 - 2011**



e27 | **00 0407**

$$D = \frac{\text{MAX kg} \times \text{MAX kg}}{\text{MAX kg} + \text{MAX kg}} \times 0,00981$$



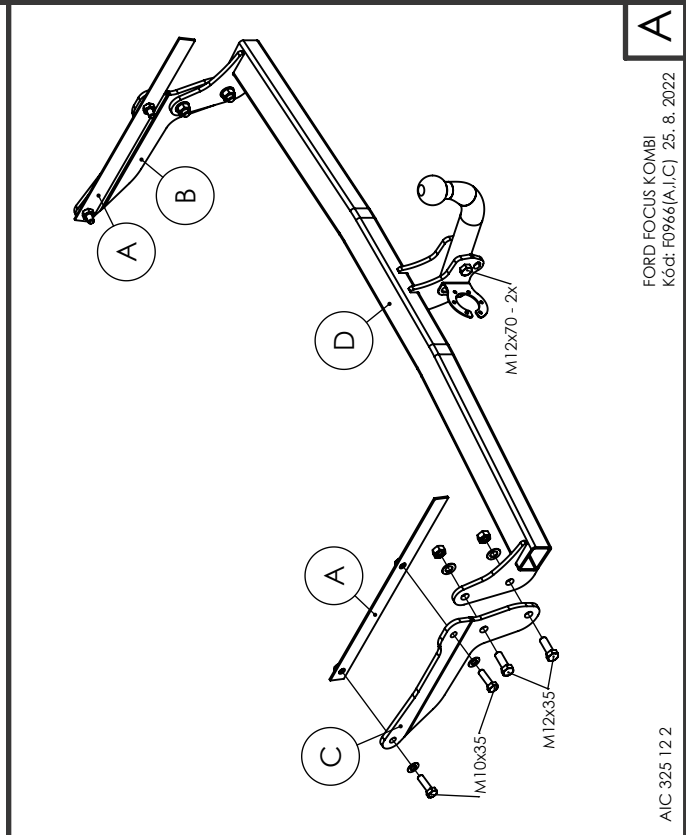
PP10 - 4x
PP12 - 6x (A, I)
PP12 - 8x (C)



M12 - 6x (A, I)
M12 - 4x (C)

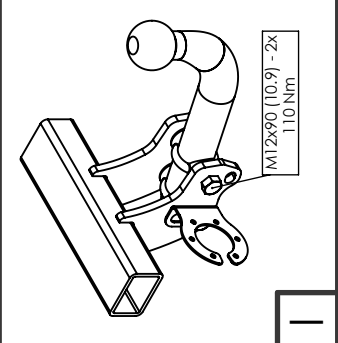
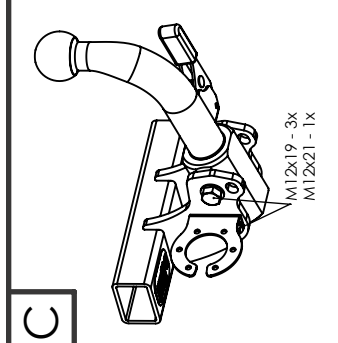


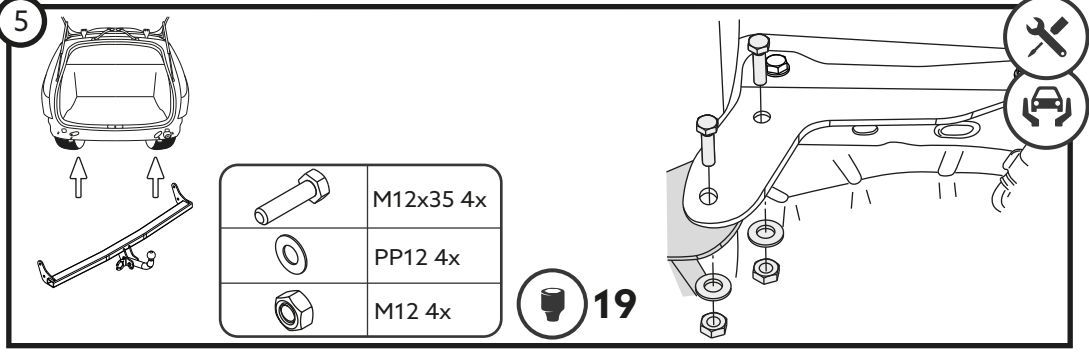
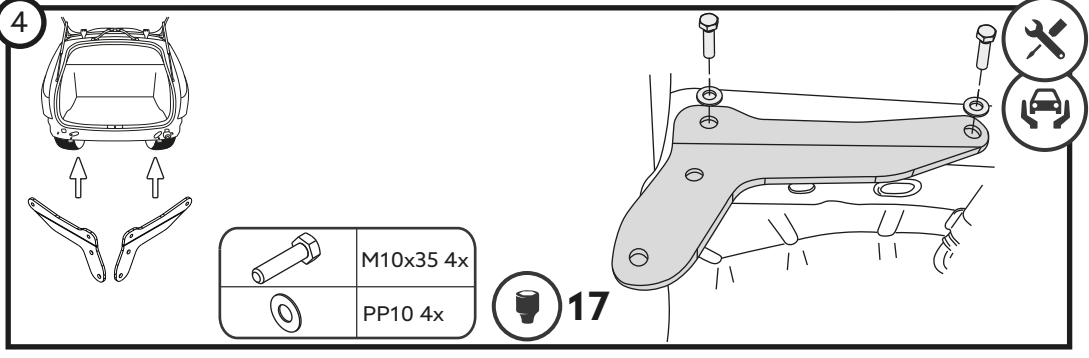
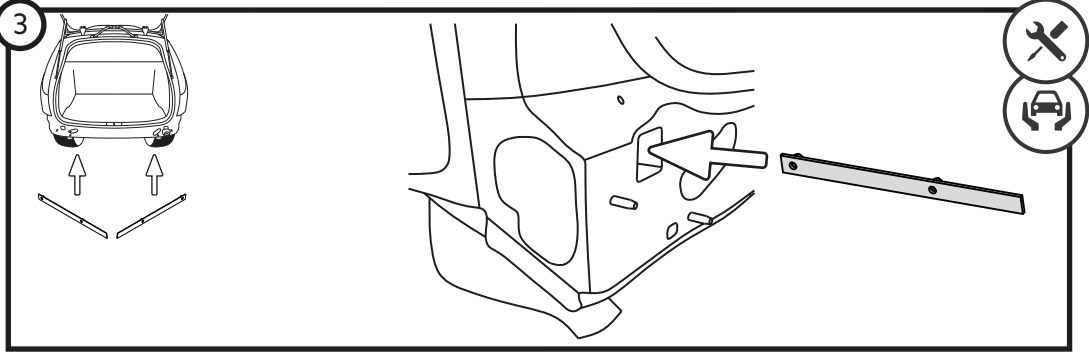
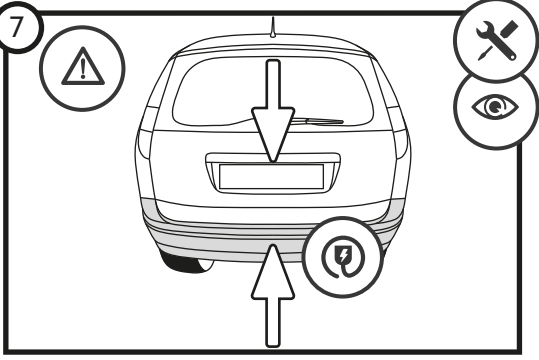
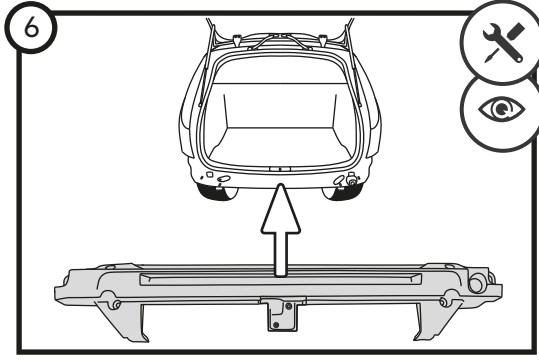
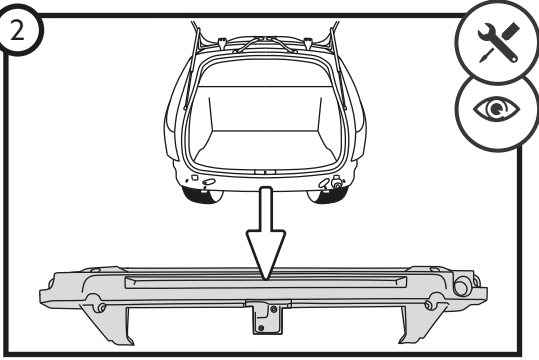
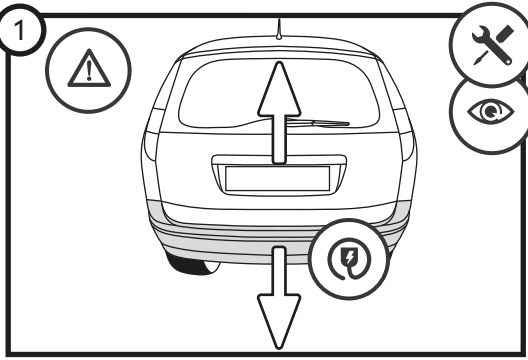
M10x35 - 4x
M12x35 - 4x
M12x70 - 2x (A)
M12x90 - 2x (I)
M12x19 - 3x (C)
M12x21 - 1x (C)



A
FORD FOCUS KOMBI
Kód: F0966(A,I,C) 25. 8. 2022

AIC 325 12.2





Location
Vlachy 142, 032 13 Vlachy



Phone
+ 421 44 55 93 434



Website
www.galia.sk



Email
galia@galia.sk



Location
Vlachy 142, 032 13 Vlachy



Phone
+ 421 44 55 93 434



Website
www.galia.sk



Email
galia@galia.sk