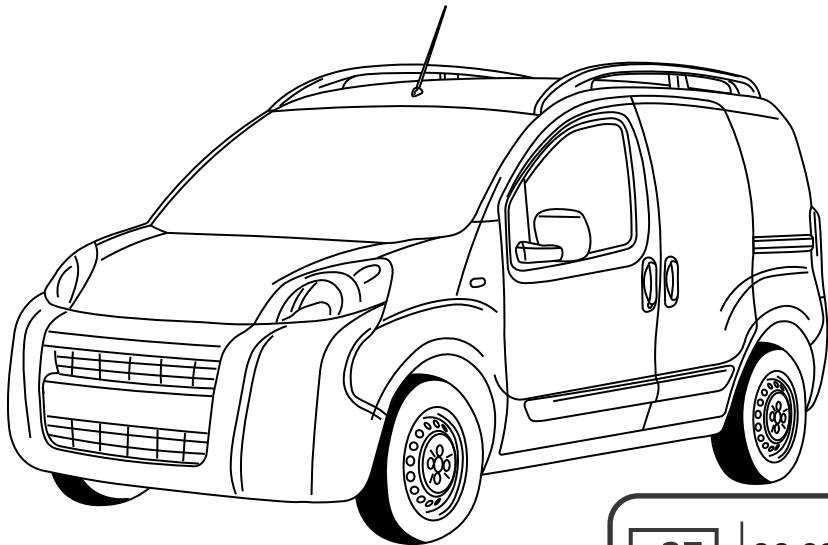
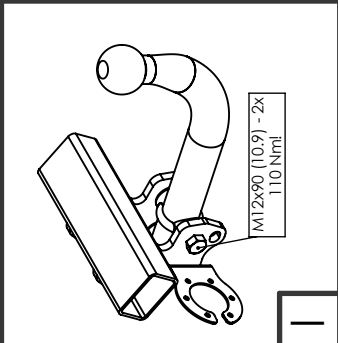
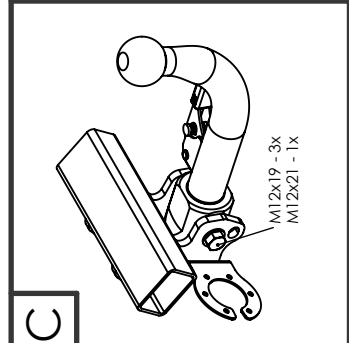
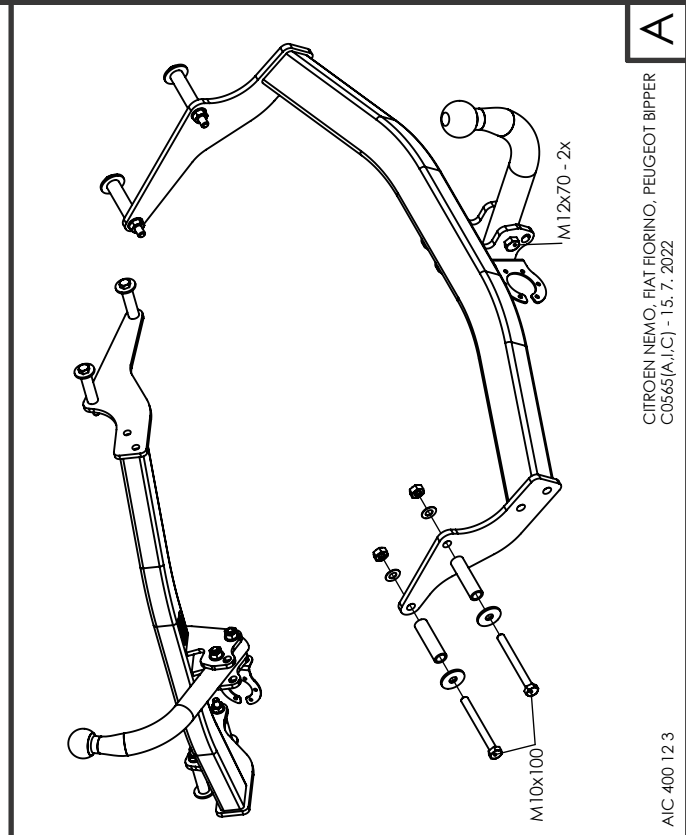
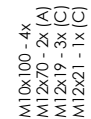
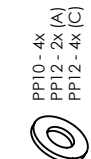
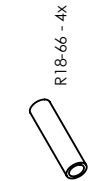
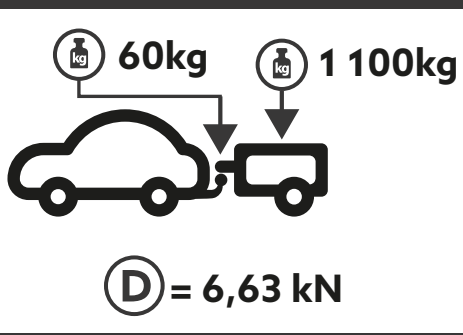
 **CITROEN Nemo**
PEUGEOT Bipper
FIAT Fiorino III
FIAT Fiorino Qubo

 **2008 -**

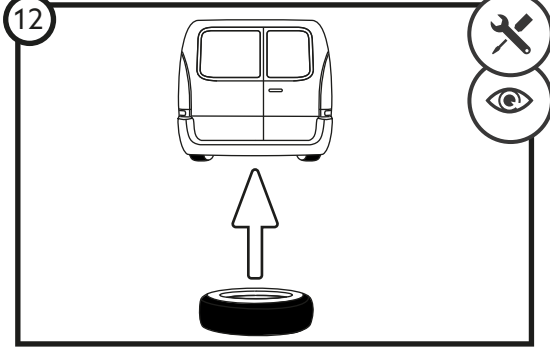
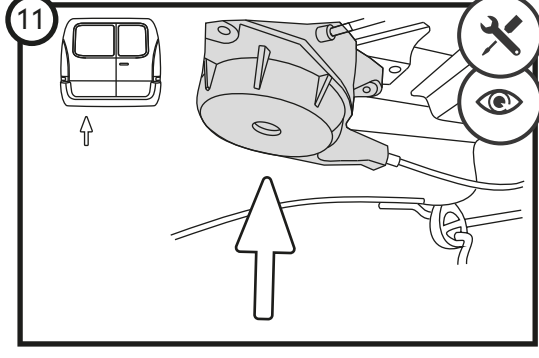
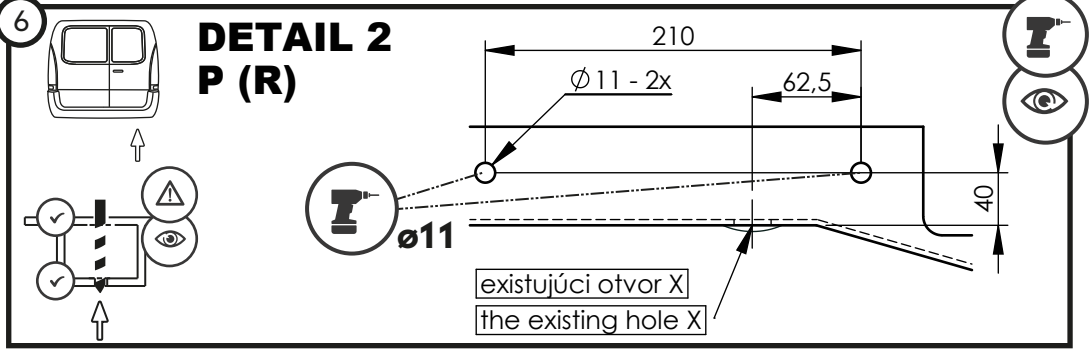
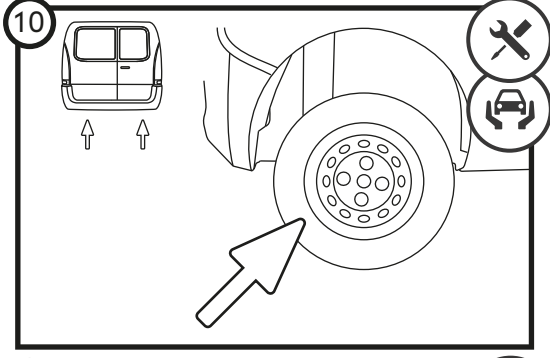
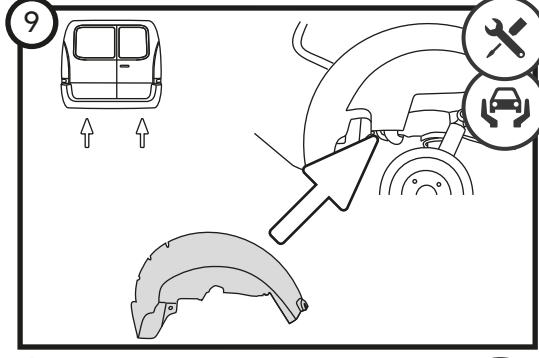
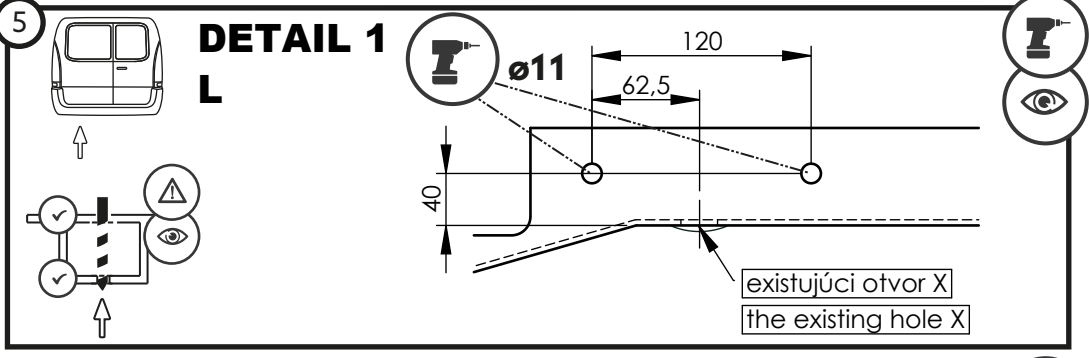
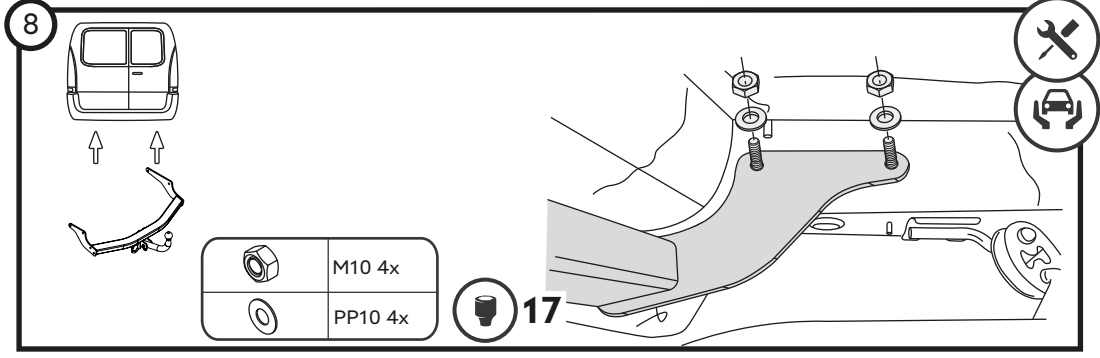
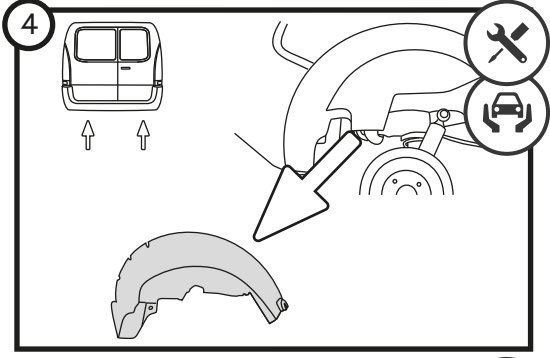
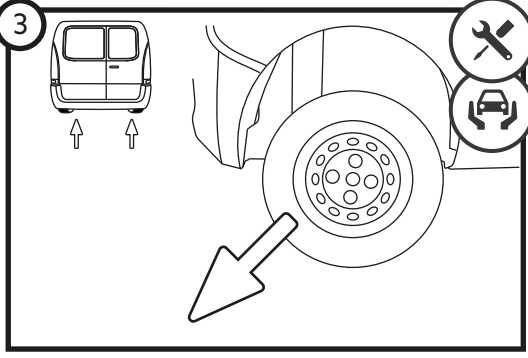
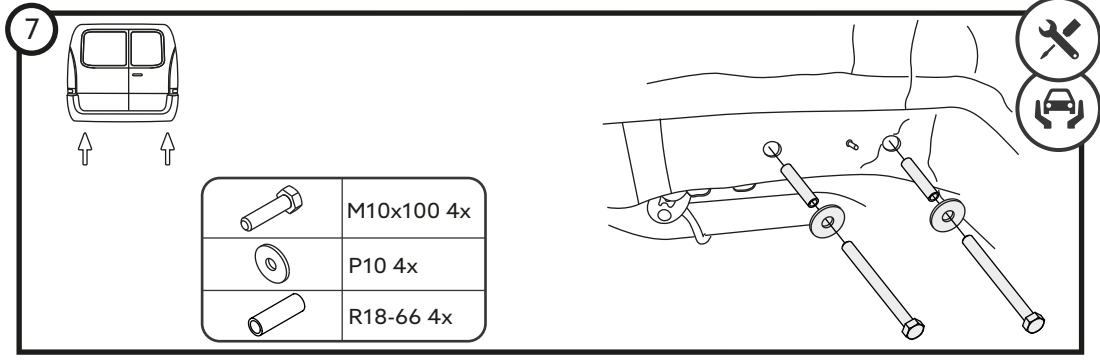
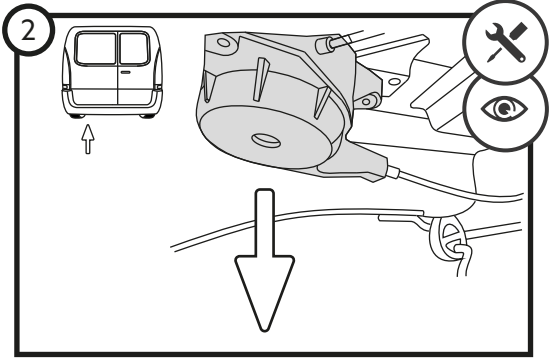
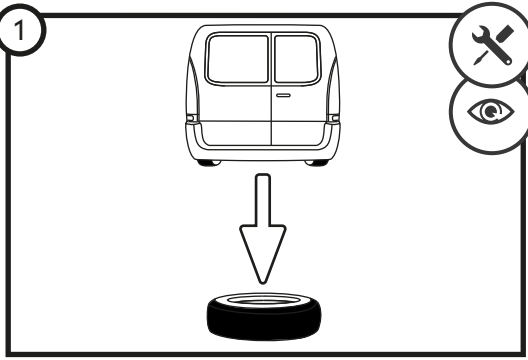


e27 | **00 0304**

$$D = \frac{\text{MAX kg} \times \text{MAX kg}}{\text{MAX kg} + \text{MAX kg}} \times 0,00981$$



A
CITROEN NEMO, FIAT FIORINO, PEUGEOT BIPPER
C0565(A,C) - 15.7.2022
AIC 400 12 3



Location
Vlachy 142, 032 13 Vlachy



Phone
+ 421 44 55 93 434



Website
www.galia.sk



Email
galia@galia.sk



Location
Vlachy 142, 032 13 Vlachy



Phone
+ 421 44 55 93 434



Website
www.galia.sk



Email
galia@galia.sk