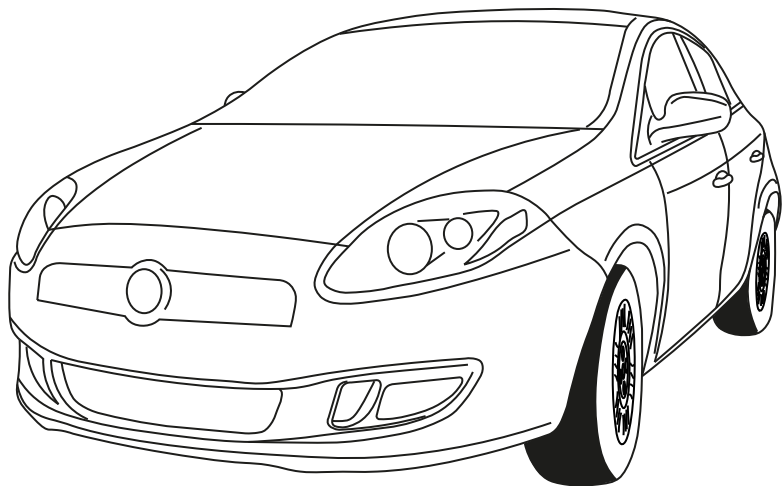


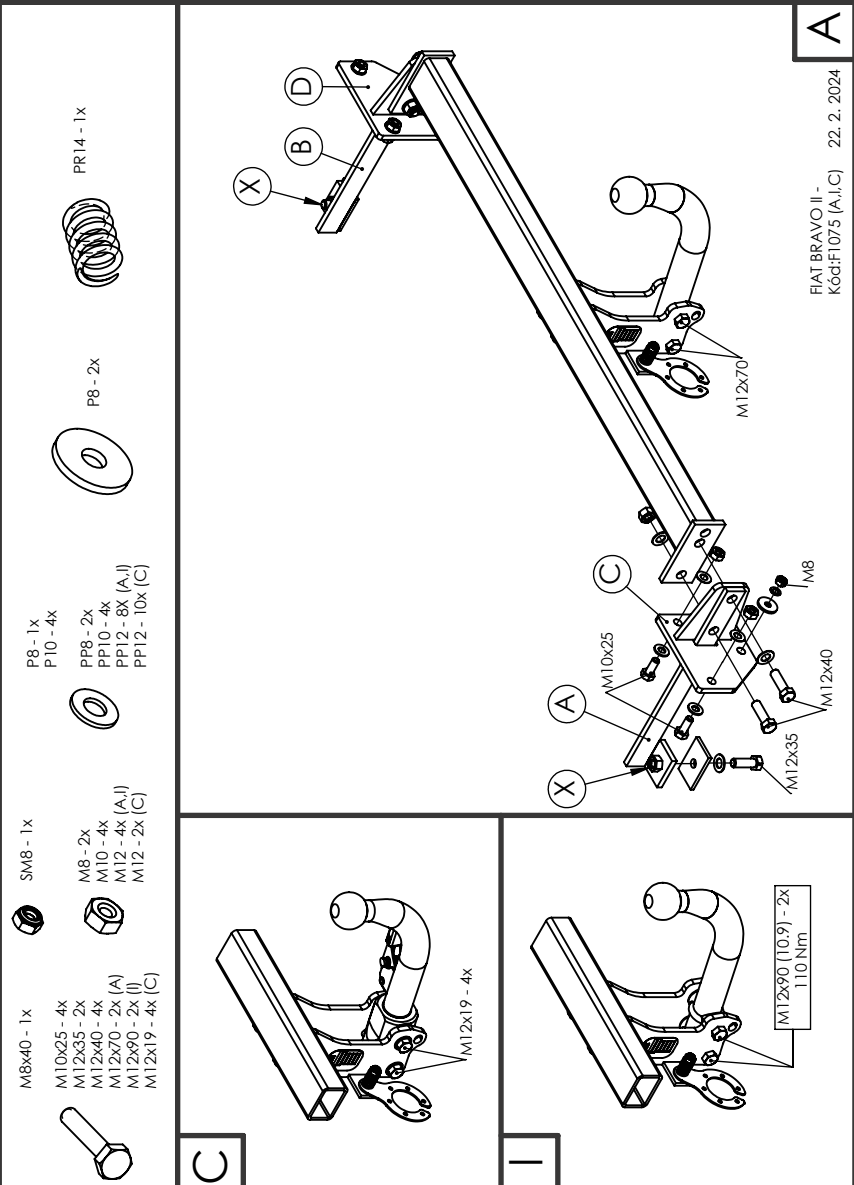
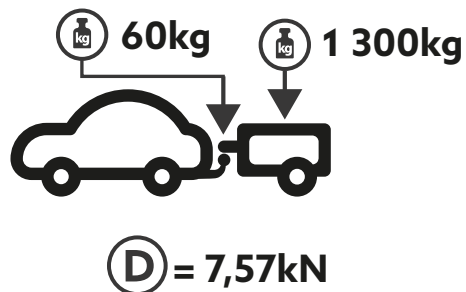
 **FIAT Bravo II**

 **2007 - 2014**



e27 | **00 0289**

$$D = \frac{\text{MAX kg} \times \text{MAX kg}}{\text{MAX kg} + \text{MAX kg}} \times 0,00981$$



A
 FIAT BRAVO II -
 Kód:F1075 (A,I,C) 22.2.2024

1

2

8

	M12x40 4x
	PP12 4x
	M12 2x

19

3

4

9

5

	M10x25 4x
	PP10 8x
	M10 4x

17

10

DETAIL

6

	M10 2x
	PP10 2x

17

7

	M12x35 2x
	PP12 2x

19

11