

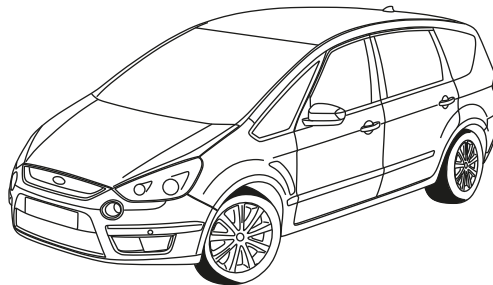


FORD S-Max, MPV  
FORD Galaxy, MPV

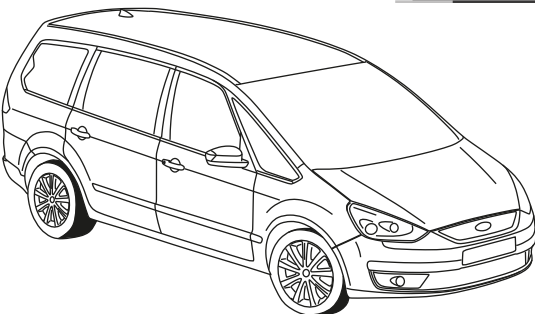


2006 - 2014  
2006 - 2015

FORD  
S-Max



FORD  
Galaxy



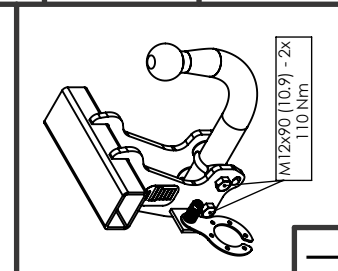
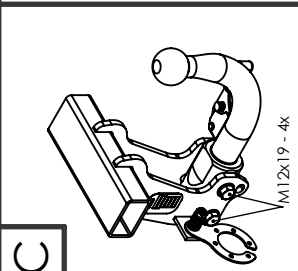
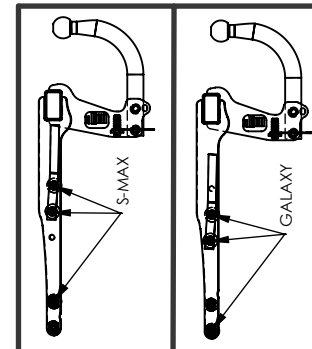
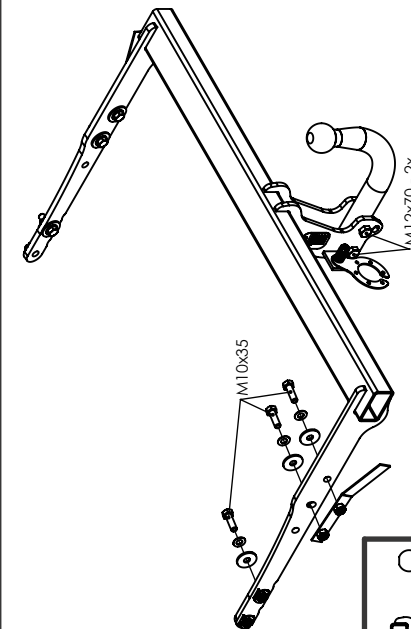
e27 | 00 0423

$$D = \frac{\text{MAX kg} \times \text{MAX kg}}{\text{MAX kg} + \text{MAX kg}} \times 0,00981$$

100kg    1 800kg

$$D = 10,28 \text{ kN}$$

- F1145\_6 - 2x
- BP360 - 2x
- PR14 - 1x
- P10 - 6ks
- P8 - 1x
- PP10 - 6x
- PP12 - 2x (A, I)
- PP12 - 4x (C)
- SM8 - 1x
- M12 - 2x (A, I)
- M8x40 - 1x
- M10x35 - 6x
- M12x70 - 2x (A)
- M12x90 - 2x (I)
- M12x19 - 4x (C)



A

FORD S-MAX - FORD GALAXY  
Kód: F1145(A,I,C) | 15. 8. 2022



Location  
Vlachy 142, 032 13 Vlachy



Phone  
+ 421 44 55 93 434



Website  
www.galia.sk



Email  
galia@galia.sk



Location  
Vlachy 142, 032 13 Vlachy



Phone  
+ 421 44 55 93 434



Website  
www.galia.sk



Email  
galia@galia.sk

