

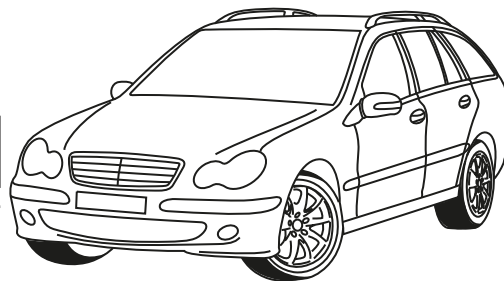


MERCEDES C
kombi, 4dv.
(W203)

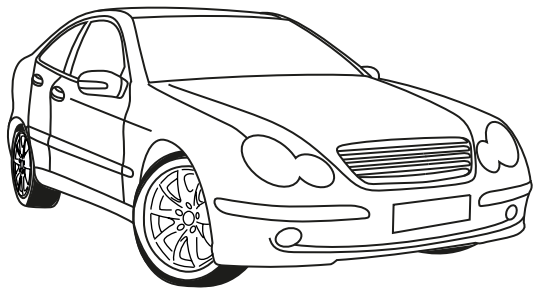


2000 - 2007

MERCEDES C
kombi



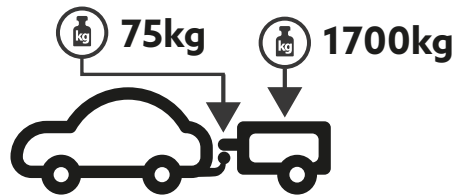
MERCEDES C
4dv



E27

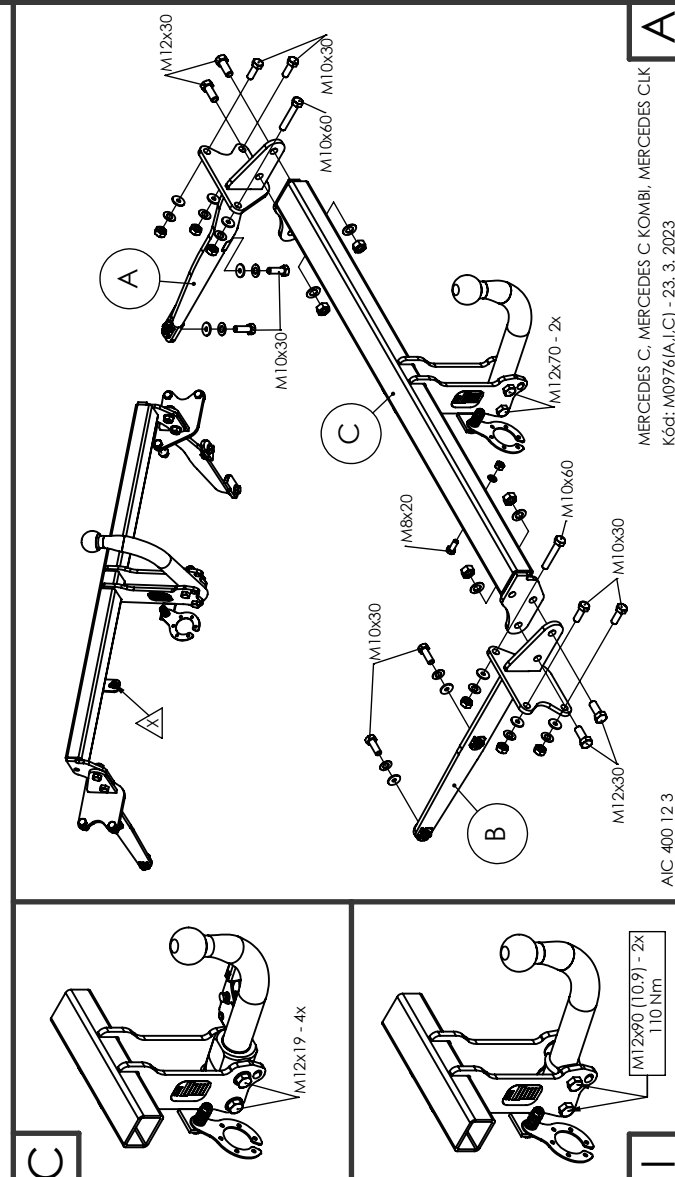
R55-01 0114 00

$$D = \frac{\text{MAX kg} \times \text{MAX kg}}{\text{MAX kg} + \text{MAX kg}} \times 0,00981$$



$$D = 9.12 \text{ kN}$$

- M8x20 - 1x
- M8x40 - 1x
- M10x30 - 10x
- M10x60 - 2x
- M12x30 - 4x
- M12x70 - 2x (A)
- M12x90 - 2x (I)
- M12x19 - 4x (C)
- SM8 - 1x
- M8 - 1x
- M10 - 6x
- M12 - 6x (A, I)
- M12 - 4x (C)
- P8 - 1x
- PP8 - 1x
- PP10 - 10x
- PP12 - 6x (A, I)
- PP12 - 8x (C)
- P10 - 10x
- PR14 - 1x



A

MERCEDES C, MERCEDES C KOMBI, MERCEDES CLK
Kód: M0976(A,I,C) - 23. 3. 2023

AIC 400 12 3



Location
Vlachy 142, 032 13 Vlachy



Phone
+ 421 44 55 93 434



Website
www.galia.sk



Email
galia@galia.sk



Location
Vlachy 142, 032 13 Vlachy



Phone
+ 421 44 55 93 434



Website
www.galia.sk



Email
galia@galia.sk

