

MENABO

free time on the move

ANTARES 2 ANTARES 3

IT Istruzioni di montaggio

EN Fitting instructions

DE Montageanleitung

FR Instructions de montage

ES Instrucciones de montaje

BG инструкции за сглобяване

CS Návod na montáž

DA Monteringsvejledning

EL Οδηγίες συναρμολόγησης

ET Paigaldusjuhend

FI Asennusohje

HR Uputa za sastavljanje

HU A felszerelés módja

LT Pritvirtinimo instrukcijos

LV Stiprināšanas instrukcija

NL Instrukcja montażu

NO Monteringsveiledning

PL Instrukcja montażu

PT Instruções de Montagem

RO Instrucțiuni de montare

RU Инструкции по установке

SK Návod na montáž

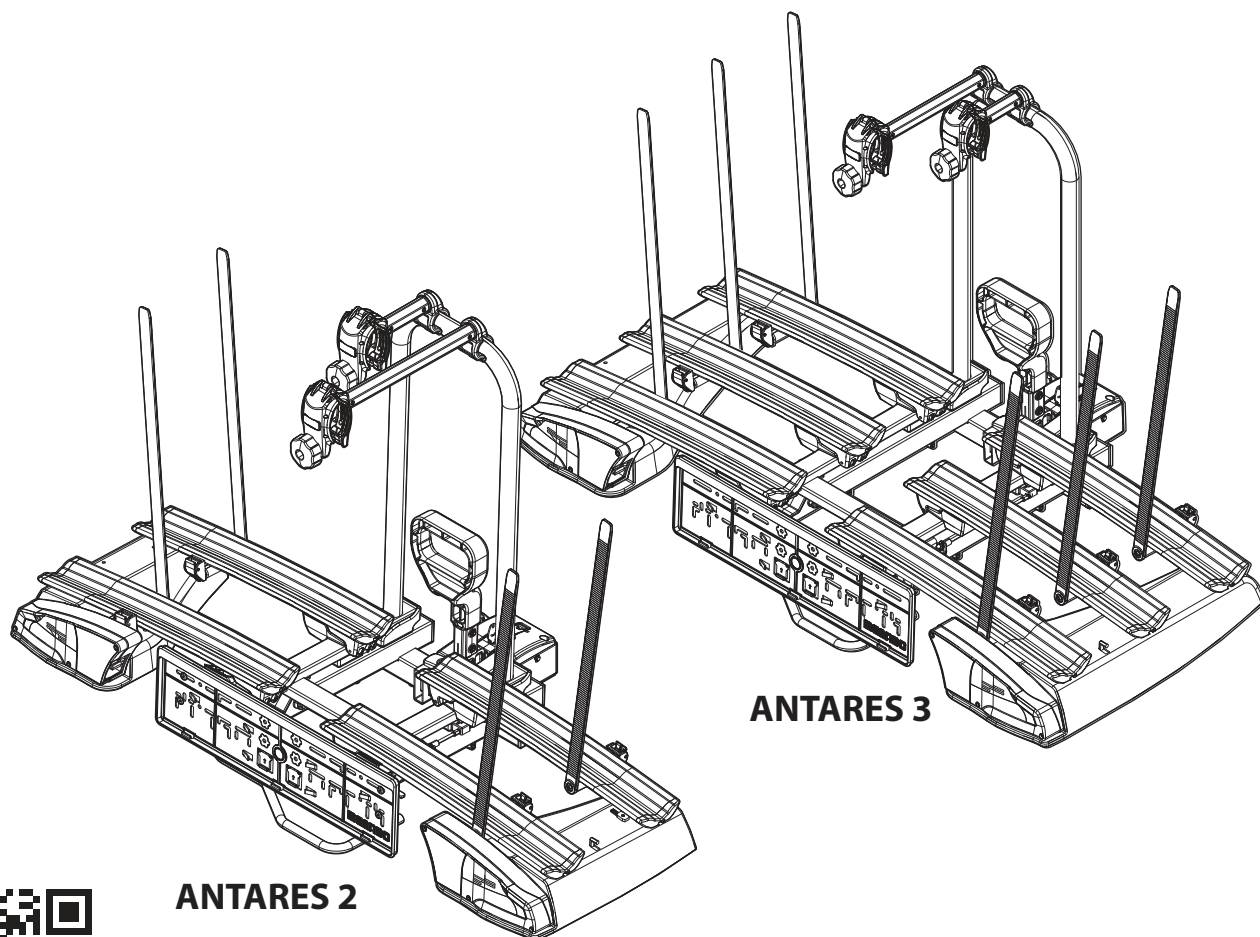
SL Navodila za pritrjevanje

SV Monteringsanvisning

TK Uydurma talimat

ZH 裝修指導

AR تعليمات التجميع



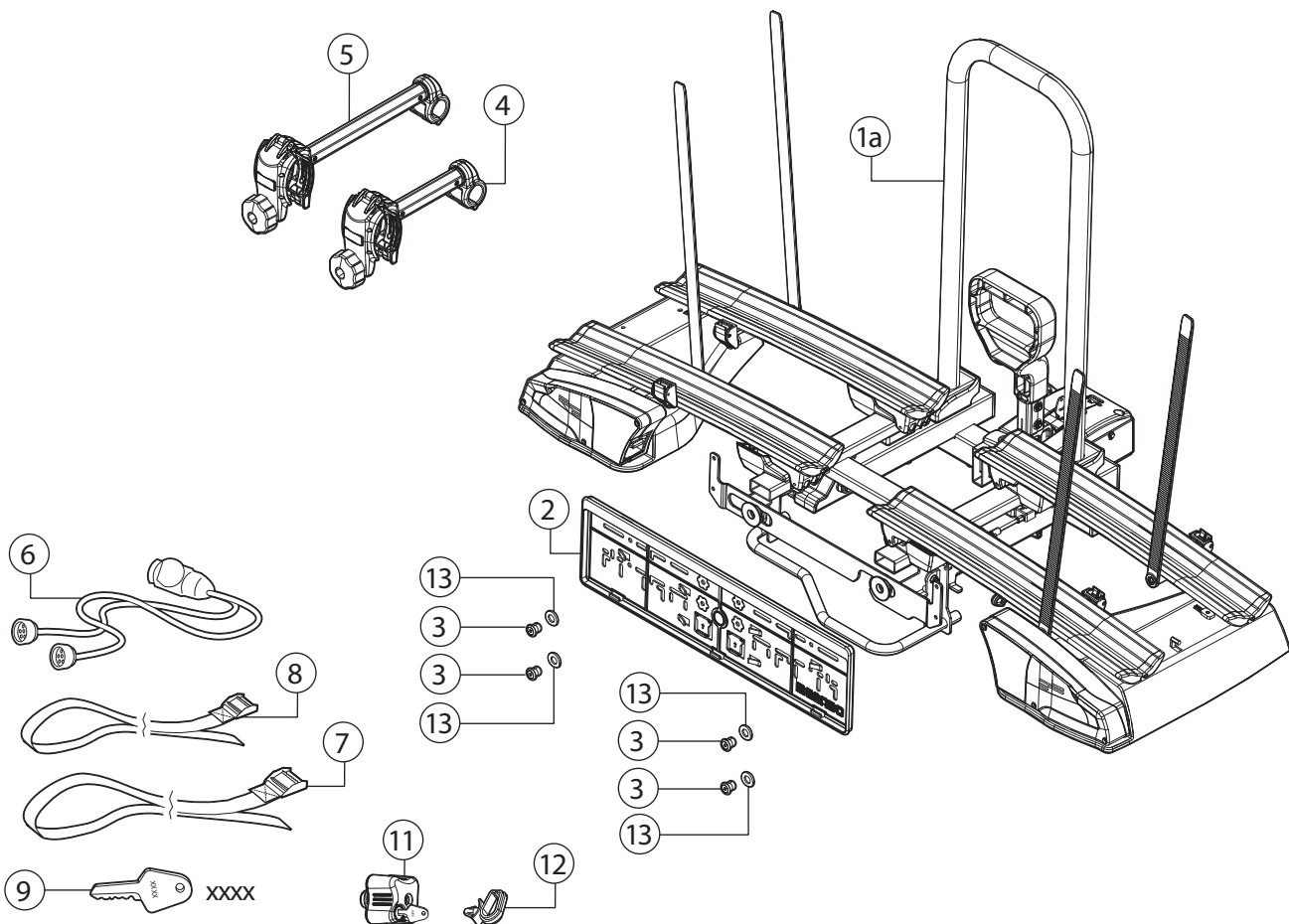
Made in Italy



ANTARES 2

N.	[IT]Componenti (Inclusi) [EN]Components (Included) [FR]Composants (Comprises) [DE]Die Komponenten (im Lieferumfang enthalten) [ES]Componentes (Incluido)	Q.
1a		1
2		1
3		4
4		1
5		1
6		1
7		1
8		1
9		2
11		2
12		10
13		4

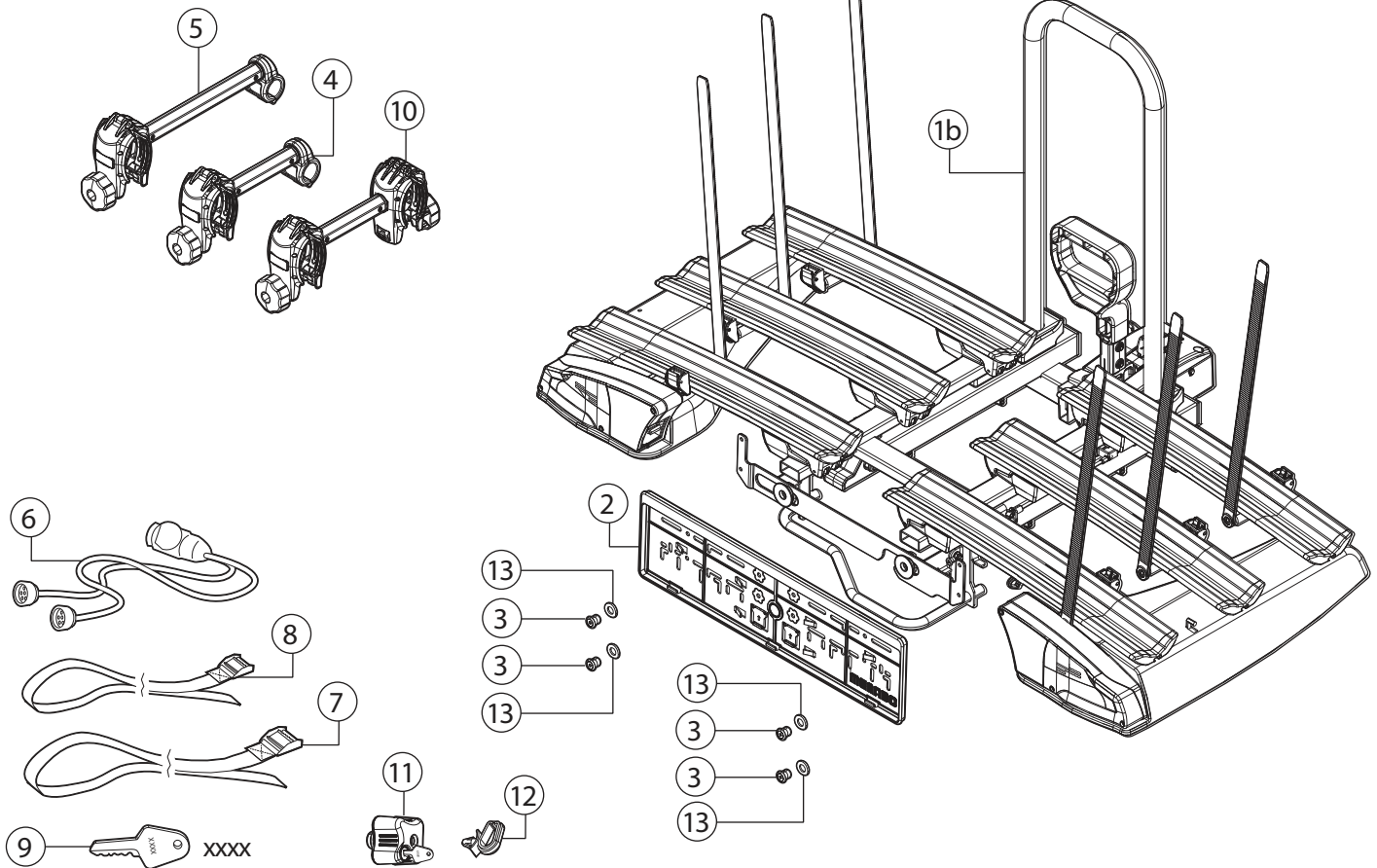
N.	[IT]Ricambi (A Richiesta) [EN]Spare Parts (Made to order) [FR]Pièces de rechange (Sur commande) [DE]E Teile (auf Anfrage) [ES]Piezas de recambio (Previa solicitud)	Codice-Code-Código	Q.
2		700007500000	1
3		700044400000	4
13			4
4		700003200000	1
5		700017800000	1
6		700033600000	1
7		700001100000	1
8		700033400000	1
11		000026400000	1
12		700024000000	2
A		700033700000	1
B		700033800000	1
C		700044300000	1
D		700044200000	1
E		700034100000	2
F		700031500000	1
G		700031300000	1
H		700031400000	1



ANTARES 3

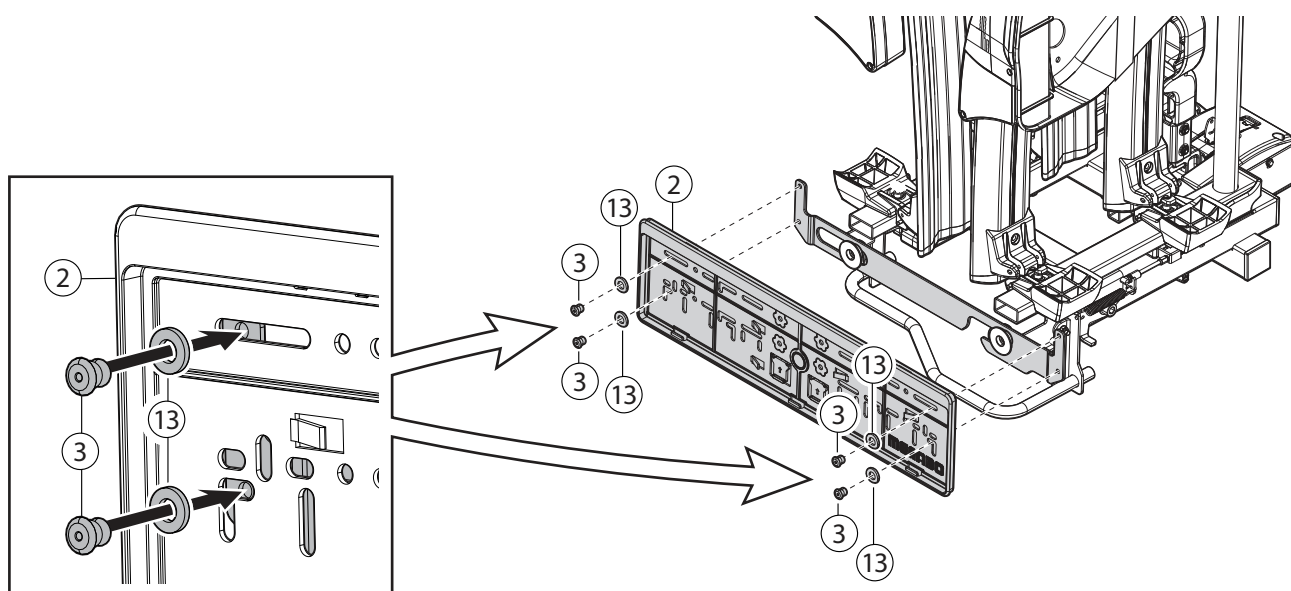
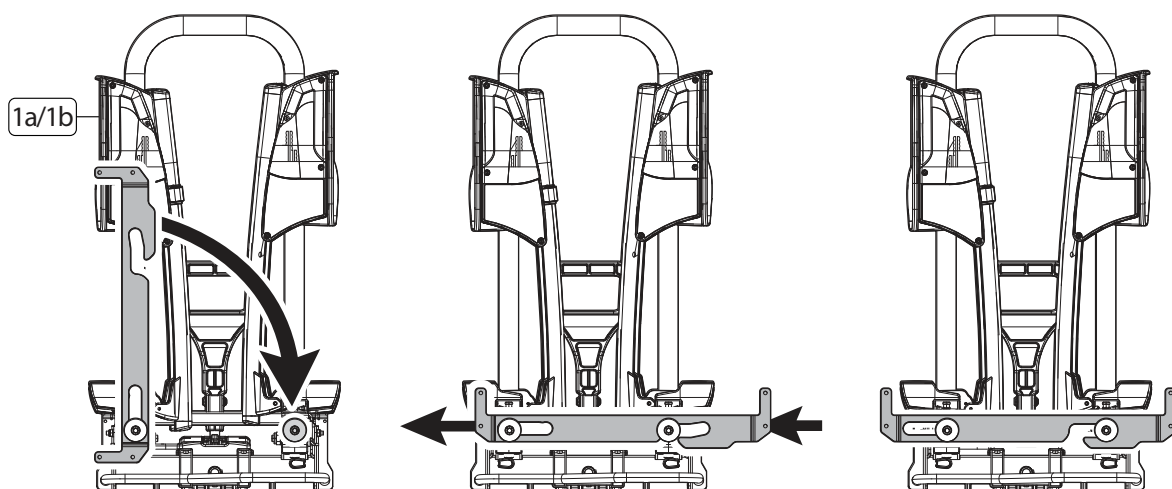
N.	[IT]Componenti (Inclusi) [EN]Components (Included) [FR]Composants (Comprises) [DE]Die Komponenten (im Lieferumfang enthalten) [ES]Componentes (Incluido)	Q.
1b		1
2		1
3		4
4		1
5		1
10		1
6		1
7		1
8		1
9		2
11		4
12		10
13		4

N.	[IT]Ricambi (A Richiesta) [EN]Spare Parts (Made to order) [FR]Pièces de rechange (Sur commande) [DE]E Teile (auf Anfrage) [ES]Piezas de recambio (Previa solicitud)	Codice-Code-Código	Q.
2		70007500000	1
3		700044400000	4
13			4
4		70003200000	1
5		700017800000	1
6		700033600000	1
7		700001100000	1
8		700033400000	1
10		700006900000	1
11		000026400000	1
12		700024000000	2
A		700033700000	1
B		700033800000	1
I		700034000000	1
L		700033900000	1
E		700034100000	2
F		700031500000	1
G		700031300000	1
H		700031400000	1

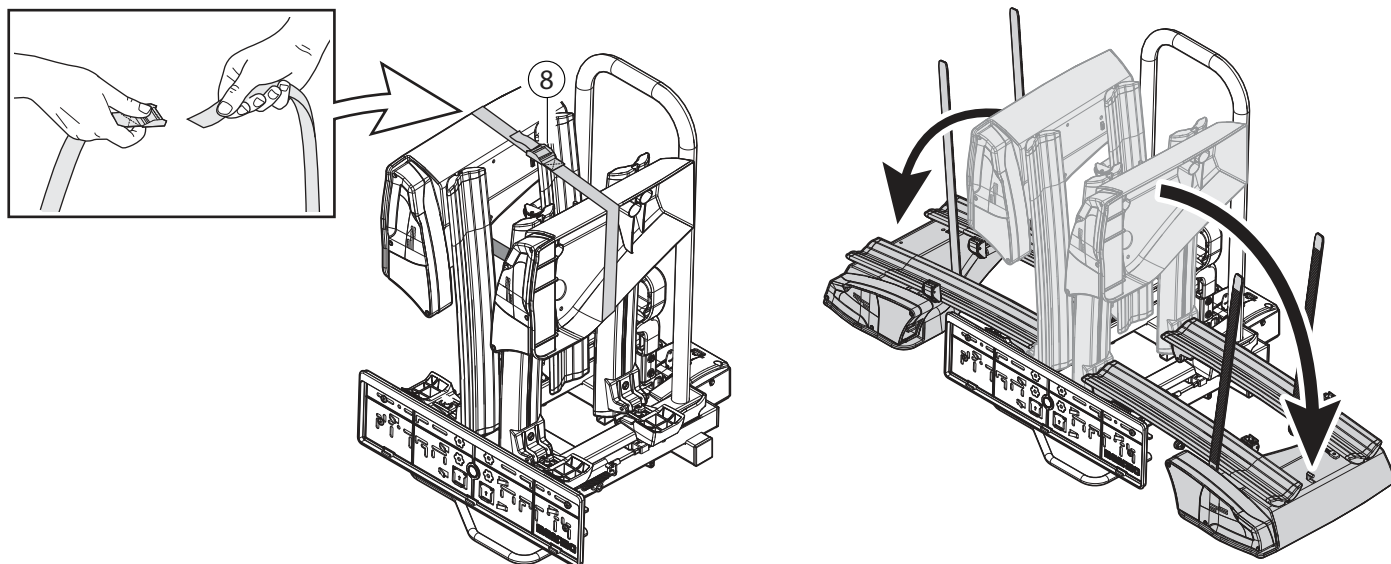


① — ANTARES 2 / ANTARES 3

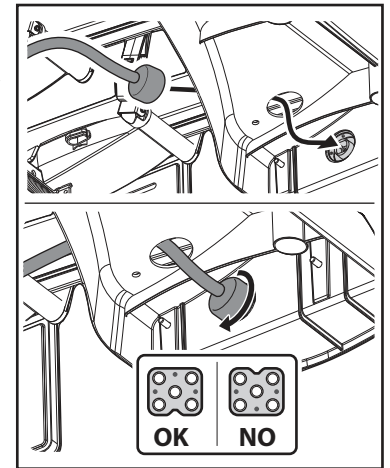
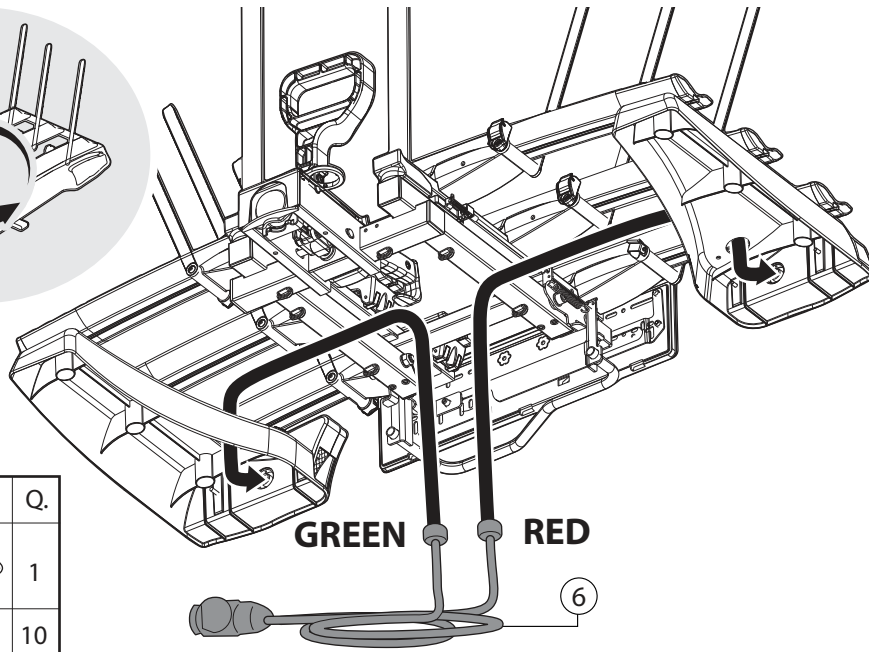
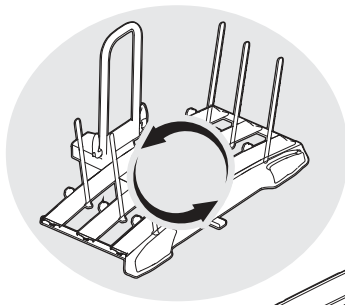
N		Q
1a		1
1b		1
2		1
3		4
13		4



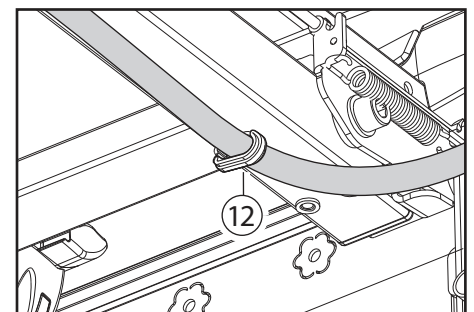
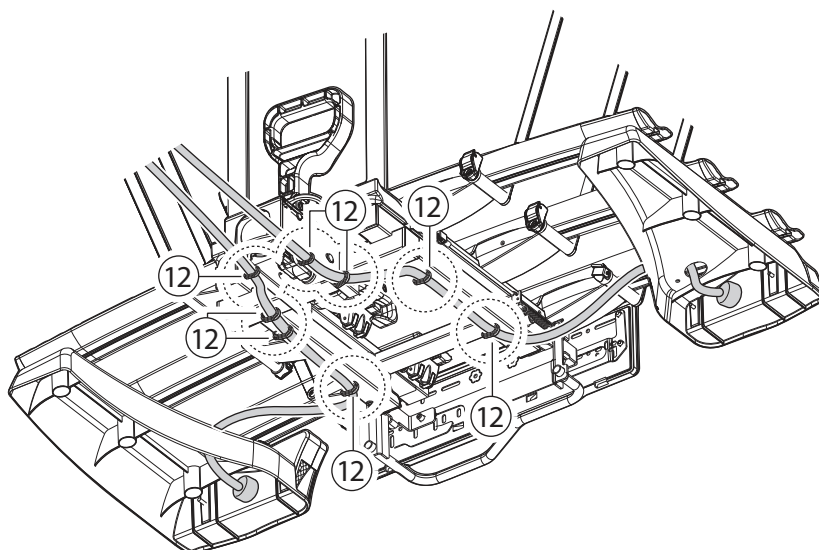
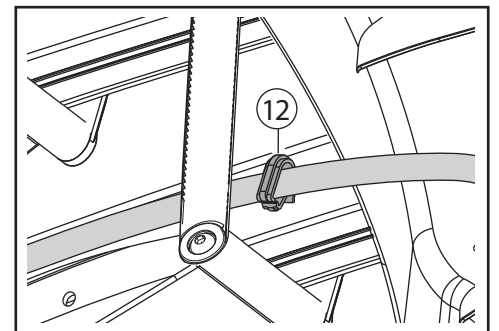
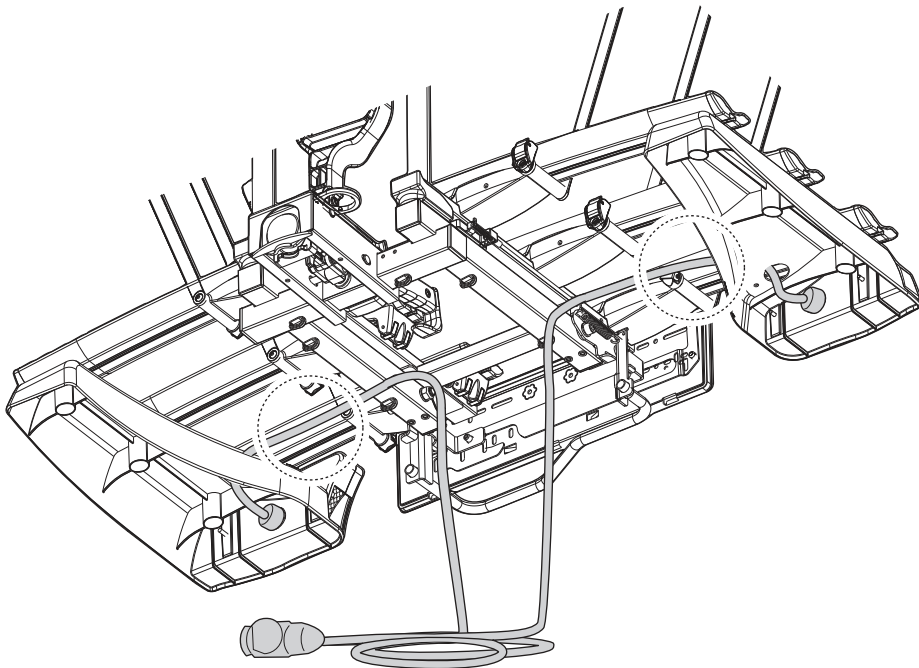
② — ANTARES 2 / ANTARES 3



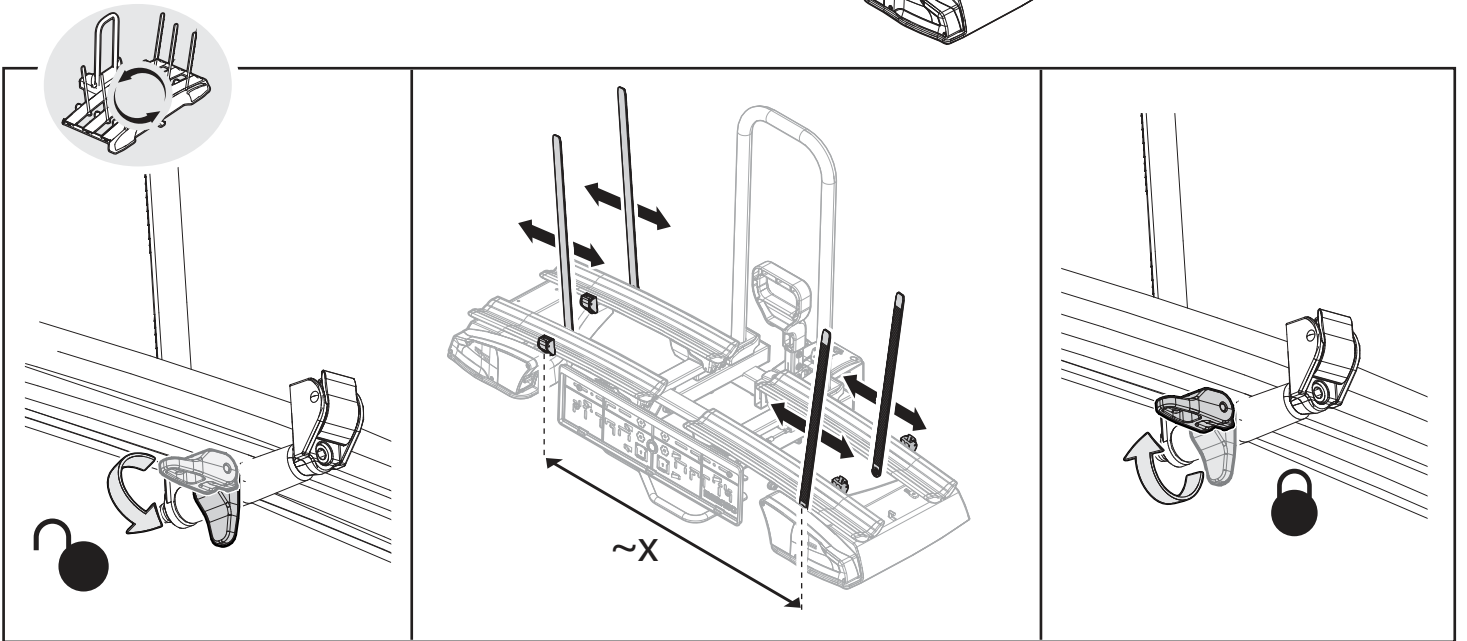
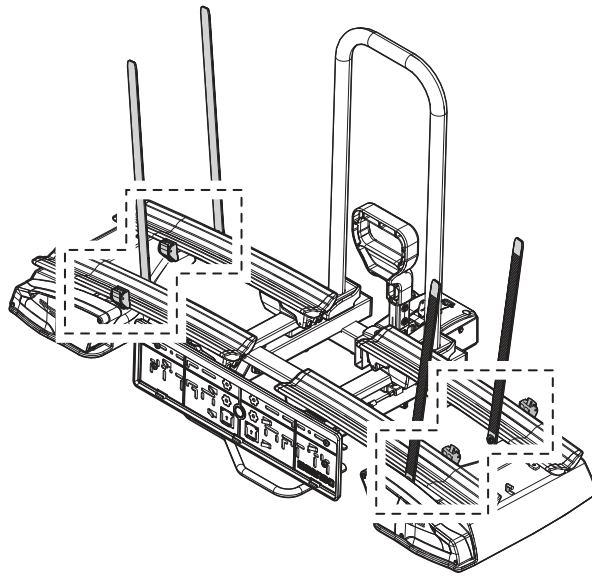
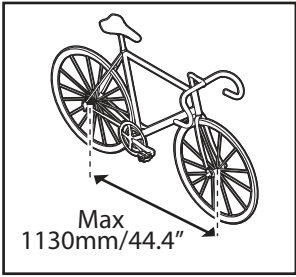
3 ANTARES 2 / ANTARES 3



N.		Q.
6		1
12		10

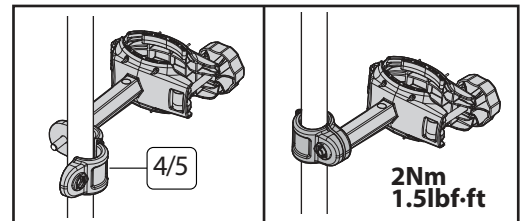
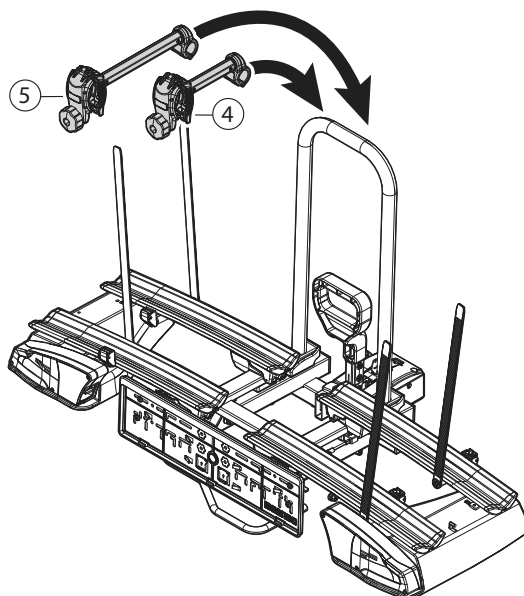


④ — ANTARES 2 / ANTARES 3

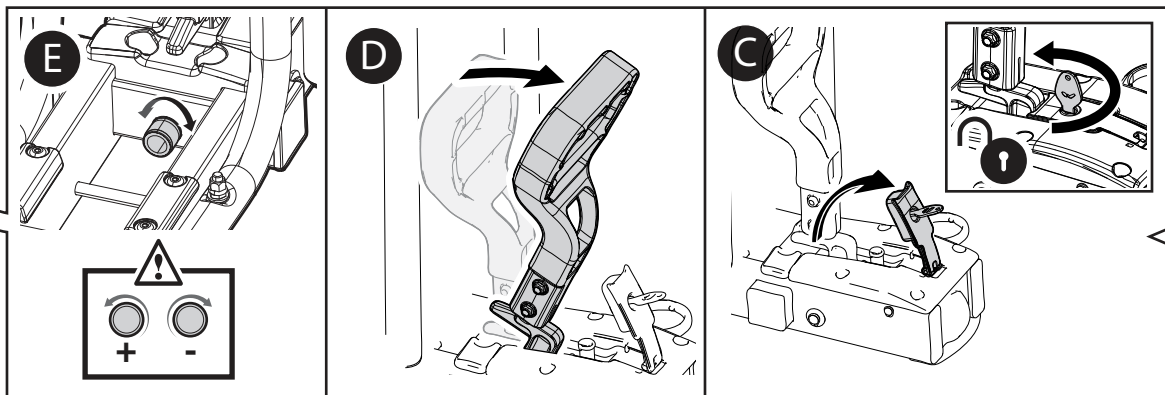
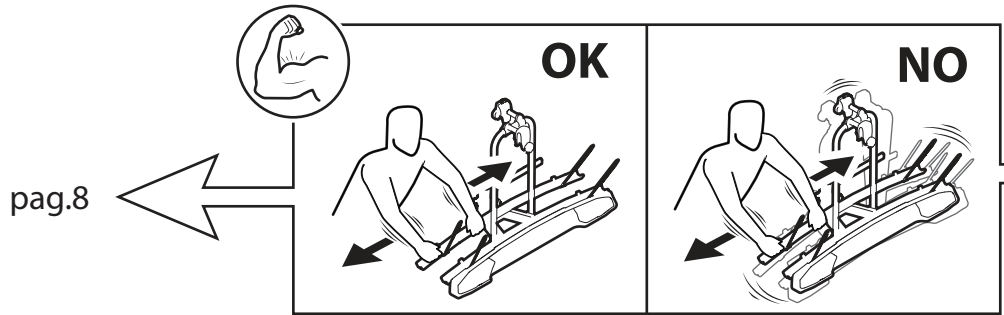
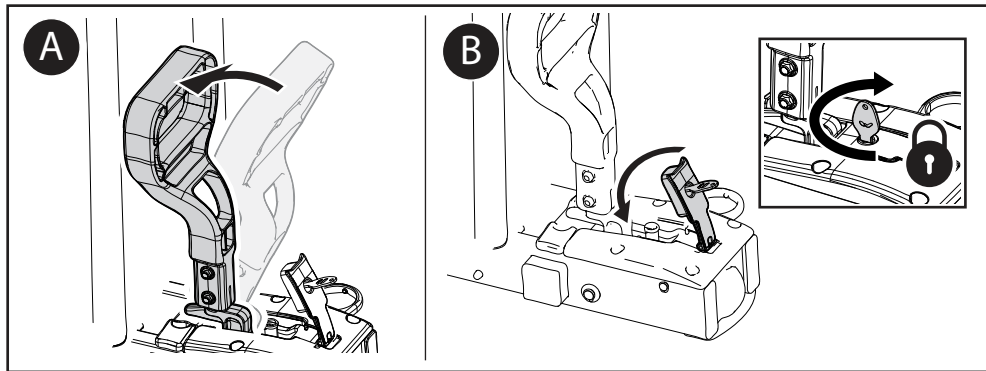
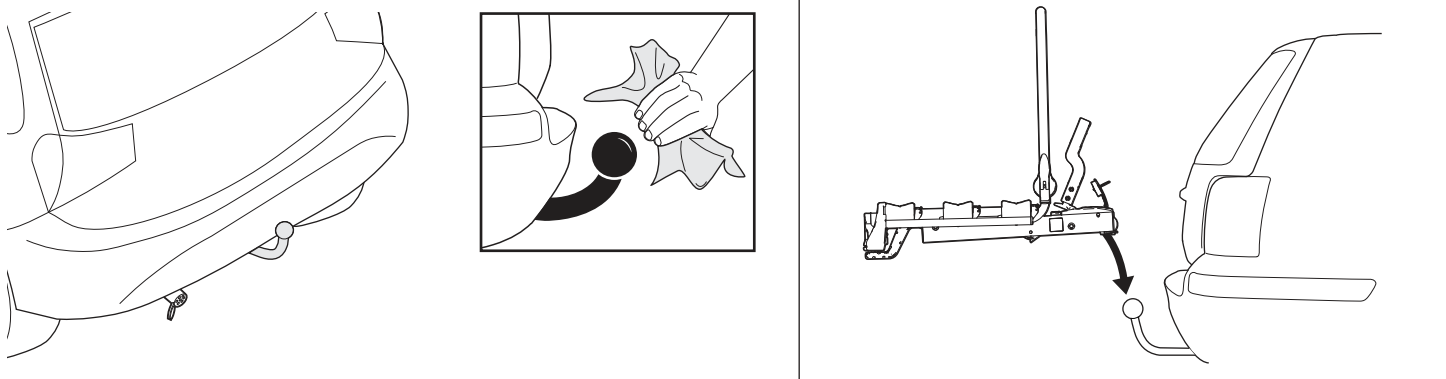
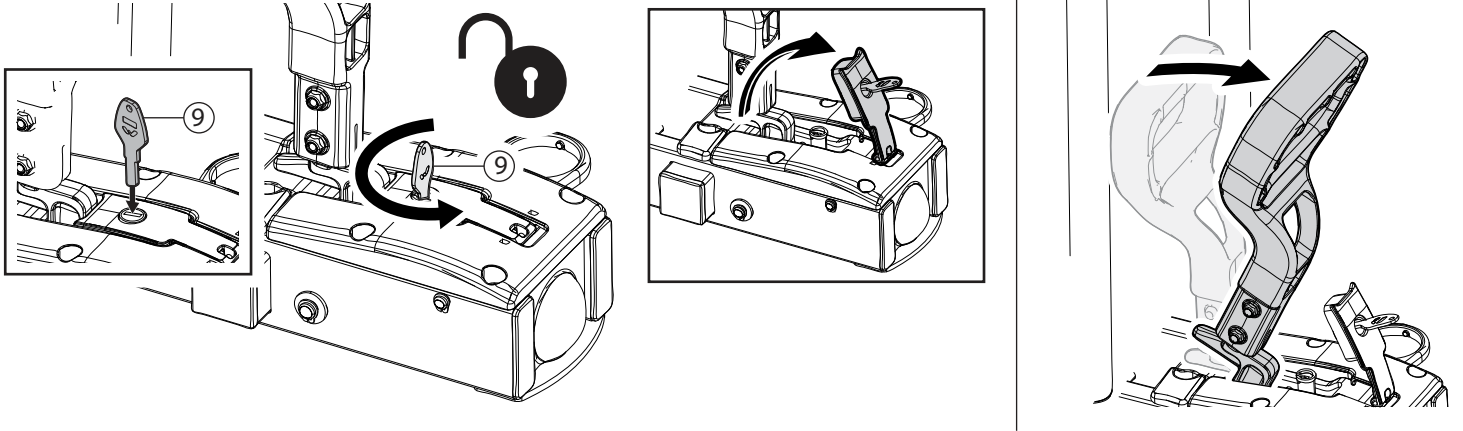


⑤ — ANTARES 2 / ANTARES 3

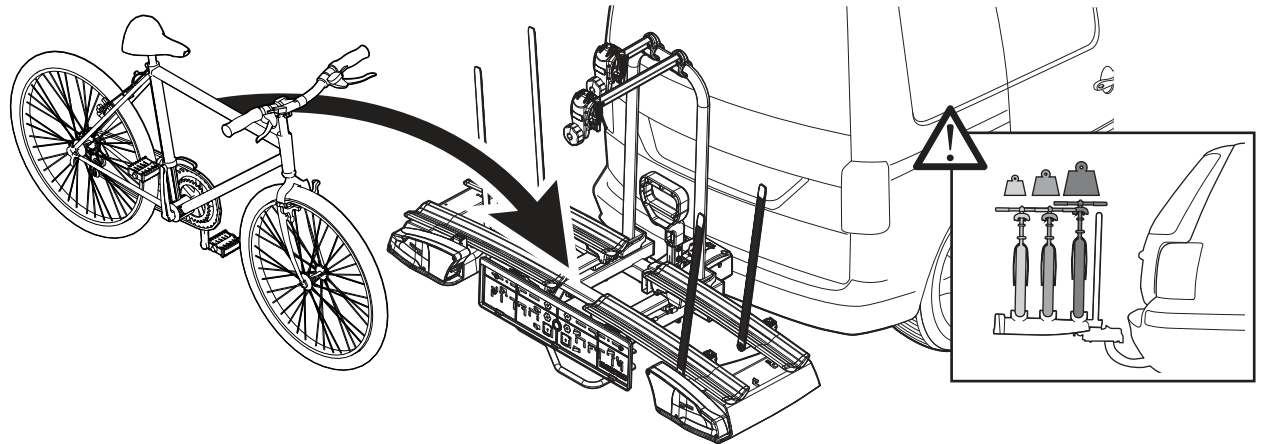
N		Q
4		1
5		1



6 ANTARES 2 / ANTARES 3



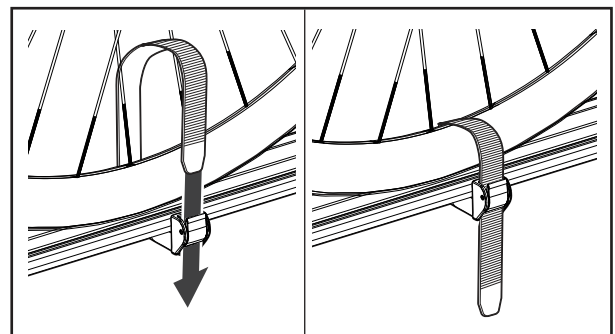
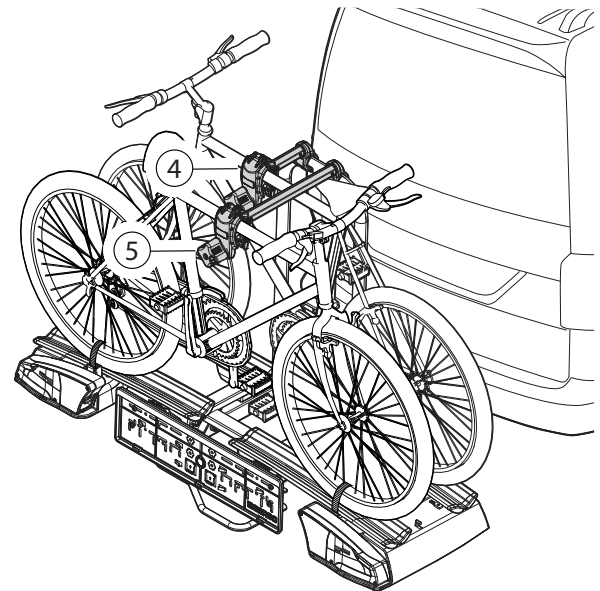
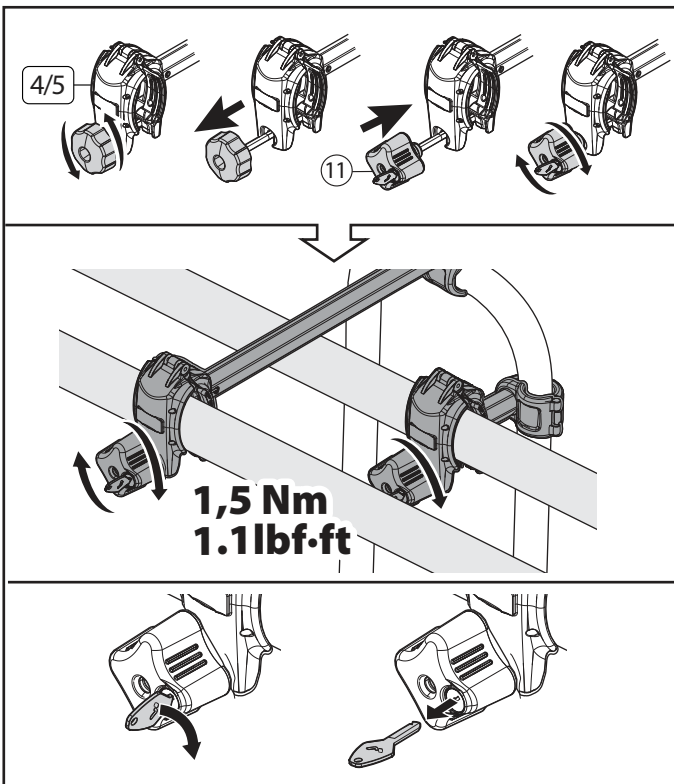
7 — ANTARES 2 / ANTARES 3



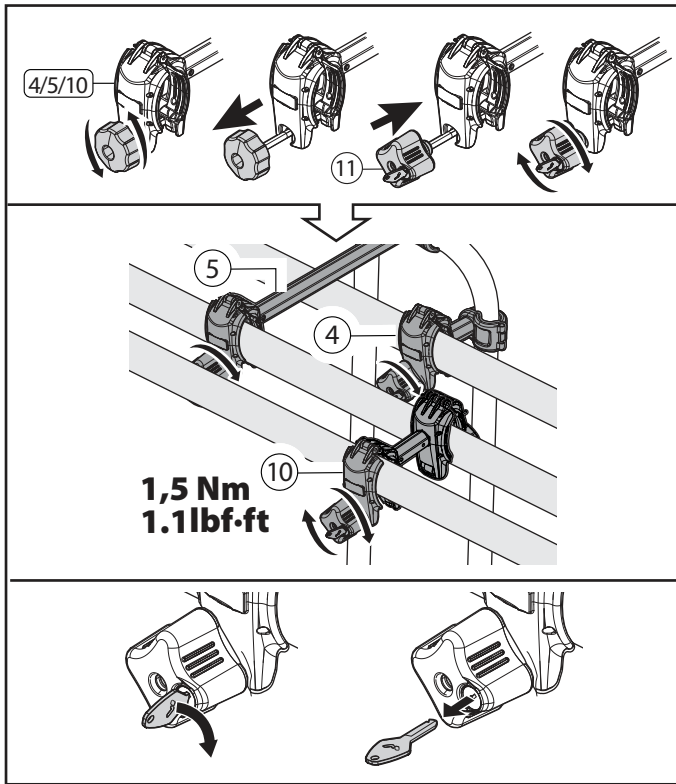
			MIN Ø30 mm / 1.2" MAX Ø50 mm / 2"		MIN 22" MAX 29"		MAX 110mm / 4.3"		MAX 1130mm / 44.4"
		MIN 30x60 mm / 1.2"x2.4" MAX 50x70 mm / 2"x 2.7"							

8 — ANTARES 2

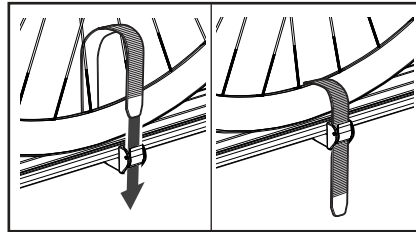
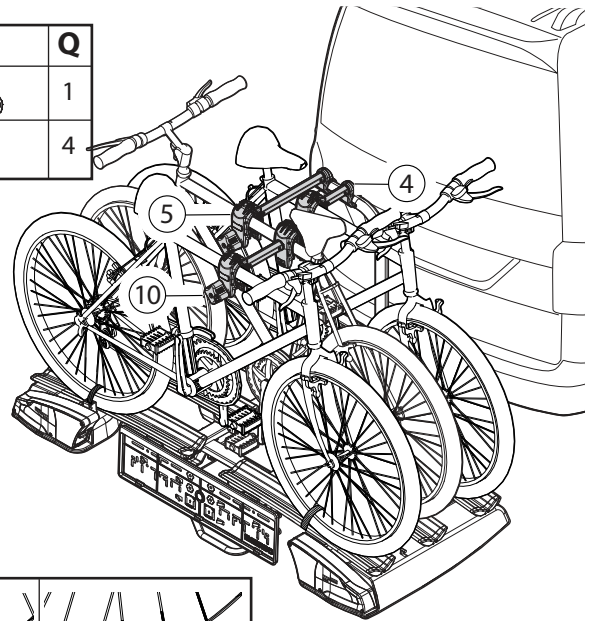
N	Q
11	2



9— ANTARES 2 / ANTARES 3

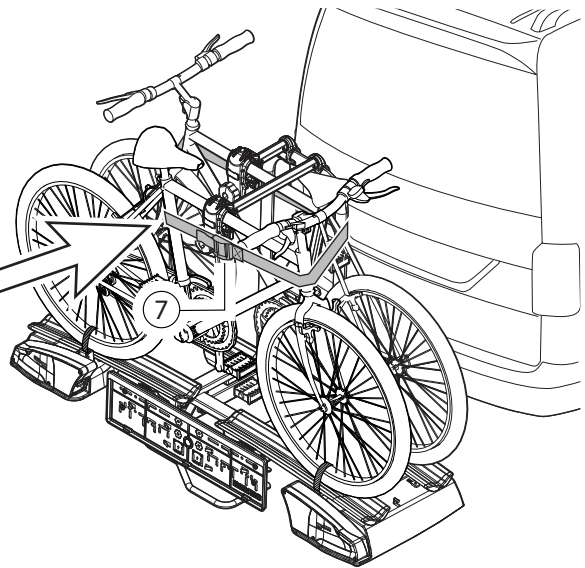
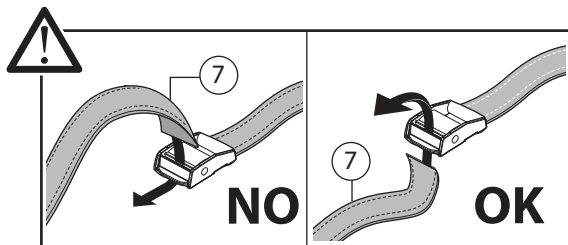


N		Q
10		1
11		4

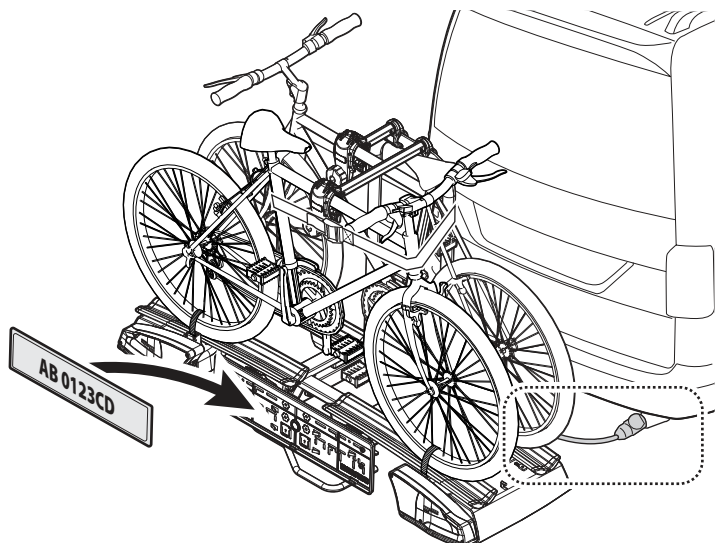
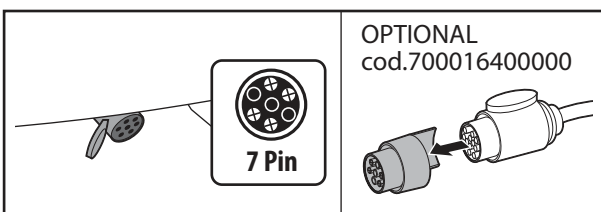
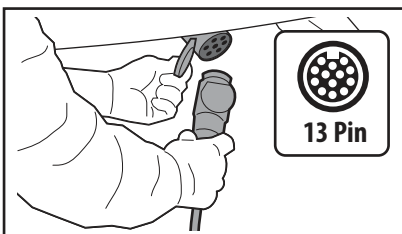


10— ANTARES 2 / ANTARES 3

N.		Q.
7	2,5m - 8ft	1

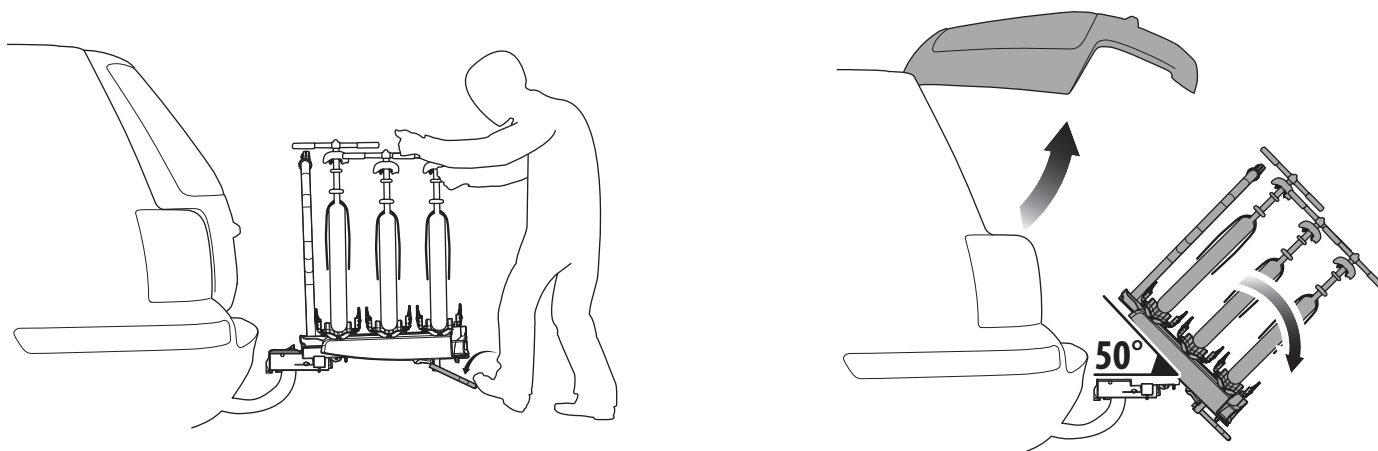


11— ANTARES 2 / ANTARES 3

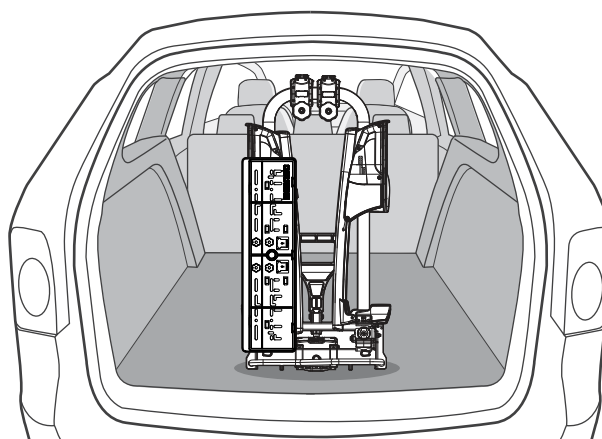
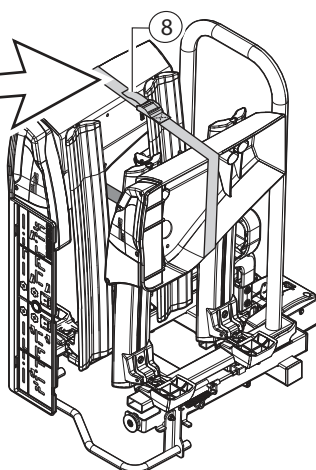
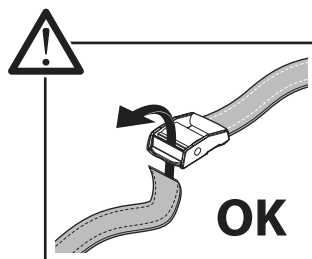
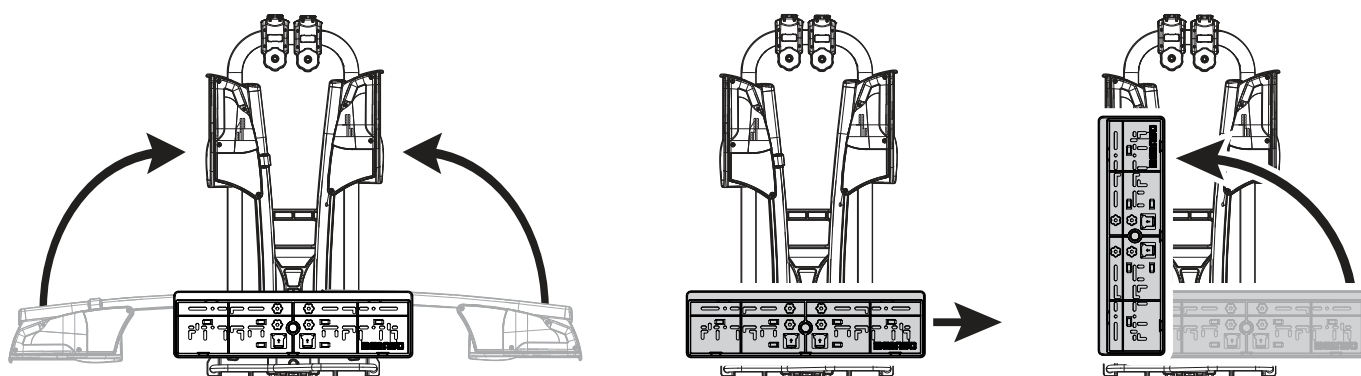


12 — ANTARES 2 / ANTARES 3

TILTING SYSTEM

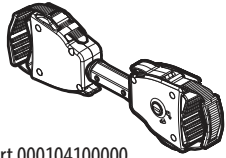


13 — ANTARES 2 / ANTARES 3



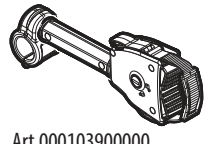
OPTIONAL

**BRACCETTO DOPIO
DOUBLE RATCHET**



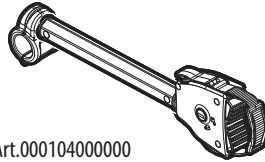
Art.000104100000

**BRACCETTO CORTO
SHORT RATCHET**



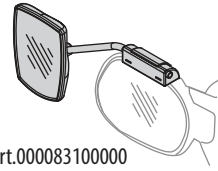
Art.000103900000

**BRACCETTO LUNGO
LONG RATCHET**



Art.000104000000

EVIDENCE MIRROR



Art.000083100000

**RAMPA
RAMP**



Art.000082100000

MAX 94/20/CE STANDARD	 Antares 2	 x2 MAX 30kg - 66lb	 Antares 3	Standard x3 MAX 20kg - 44lb	E-bike x2 MAX 30kg - 66lb	 <small>Car Manual</small>
	16 kg - 35.2lb	34 kg - 75lb 44 kg - 97lb 54 kg - 119lb 64 kg - 141lb 64 kg - 141lb	18,4kg - 40.5lb	OR MAX 20kg - 44lb	OR MAX 30kg - 66lb	
50 kg - 110lb		34 kg - 75lb			31.6 kg - 69.6lb	
60 kg - 132lb		44 kg - 97lb			41.6 kg - 92lb	
70 kg - 154.3lb	16 kg - 35.2lb	54 kg - 119lb	18,4kg - 40.5lb		51.6 kg - 114lb	
80 kg - 176.4lb		64 kg - 141lb			61.6 kg - 136lb	
>80 kg - 176.4lb		64 kg - 141lb			61.6 kg - 136lb	

No Tandem

40 cm - 15.7" 40 cm - 15.7"

130 km/h **80 mph**

SPEED

SPEED



F.lli Menabò S.r.l.
Via 8 Marzo, 3
42025 Cavriago (RE) Italy
cutomercare@flli-menabo.it
www.menabocaraccessories.com

Product registration

IT) eu.menabocaraccessories.com/ita/product-support-ita
EN) eu.menabocaraccessories.com/eng/product-support-eng
DE) eu.menabocaraccessories.com/deu/product-support-deu
FR) eu.menabocaraccessories.com/fra/product-support-fra
ES) eu.menabocaraccessories.com/esp/product-support-esp

Cod.Istr.	Data
500038900000	22/04/2021

www.menabocaraccessories.com

Name

Surname

Email

Telephone

Serial number

Product name