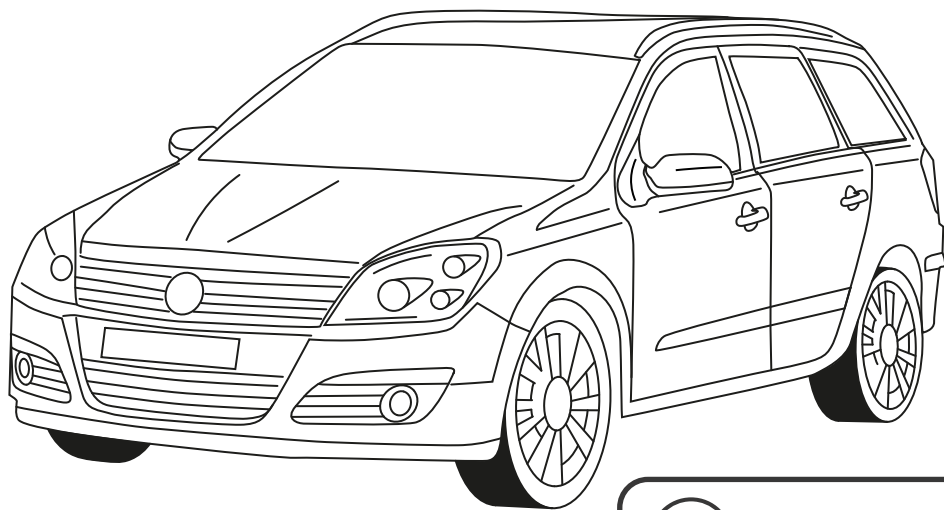




OPEL Astra H kombi



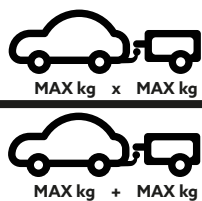
2004 - 2010



E27

55R-01 0502 00

$$D = \frac{\text{MAX kg} \times \text{MAX kg}}{\text{MAX kg} + \text{MAX kg}} \times 0,00981$$

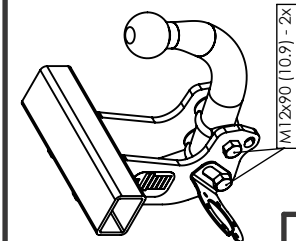
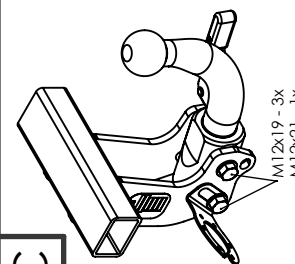
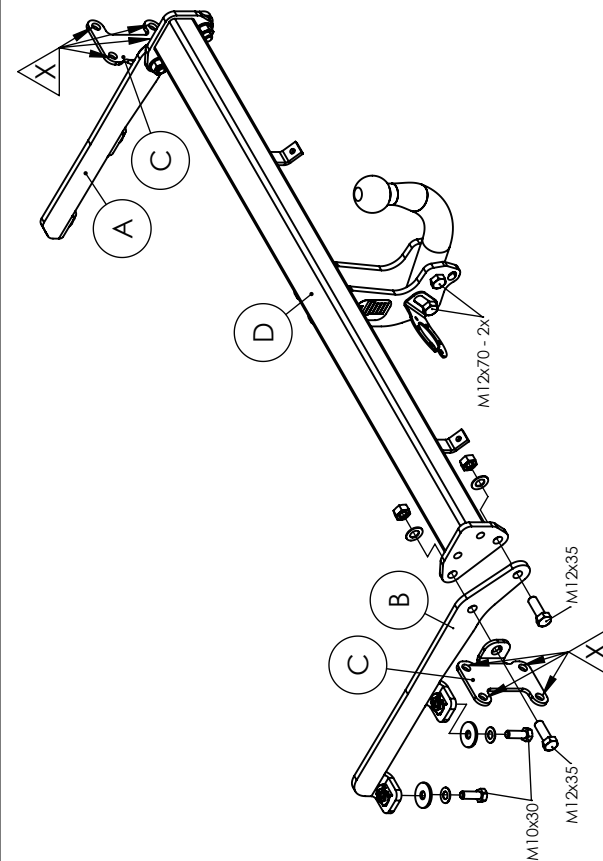


75kg 1 650kg



D = 8,5 kN

- P10 - 4x
- PPI0 - 4x  
PPI2 - 6x (A, I)  
PPI2 - 8x (C)
- M12 - 6x (A, I)  
M12 - 4x (C)
- M10x30
- M12x35
- M10x30 - 4x  
M12x35 - 4x  
M12x70 - 2x (A)  
M12x90 - 2x (I)  
M12x19 - 3x (C)  
M12x21 - 1x (C)



A

OPEL ASTRA KOMBI  
Kód: 00506(A,I,C) 30. 10. 2022

AIC 325 12 3



Location  
Vlachy 142, 032 13 Vlachy



Phone  
+ 421 44 55 93 434



Website  
www.galia.sk



Email  
galia@galia.sk



Location  
Vlachy 142, 032 13 Vlachy



Phone  
+ 421 44 55 93 434



Website  
www.galia.sk



Email  
galia@galia.sk

