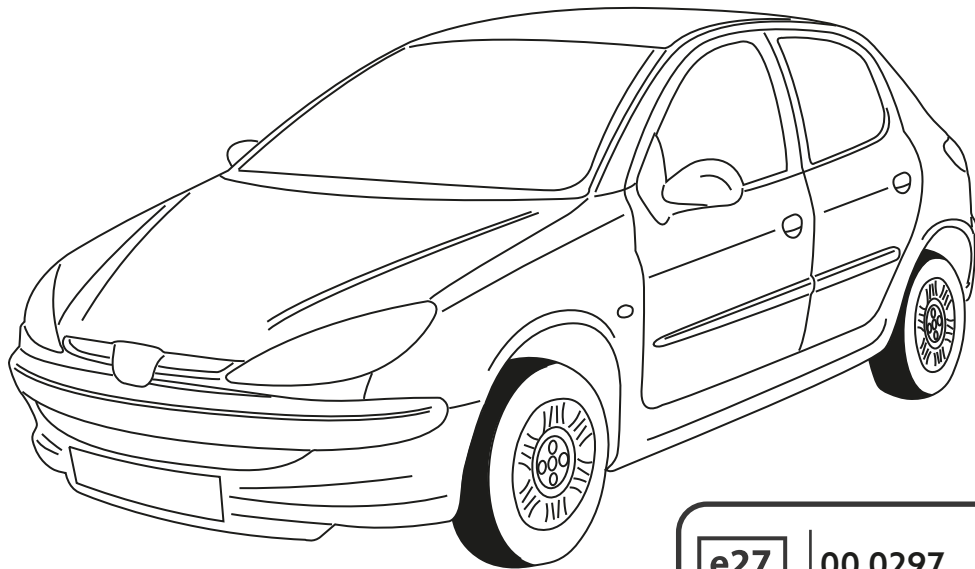




PEUGEOT 206 htb.
PEUGEOT 206+ htb.

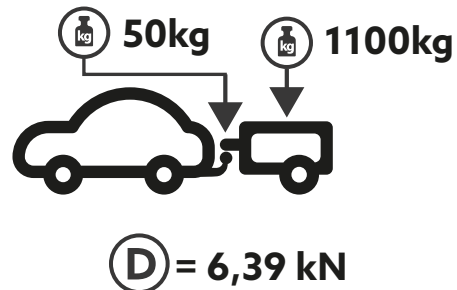


2003 - 2009
2009 - 2012

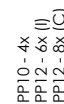


e27 | 00 0297

$$D = \frac{\text{MAX kg} \times \text{MAX kg}}{\text{MAX kg} + \text{MAX kg}} \times 0,00981$$



M10Z/17 - 4x



PP10 - 4x
PP12 - 6x (I)
PP12 - 8x (C)



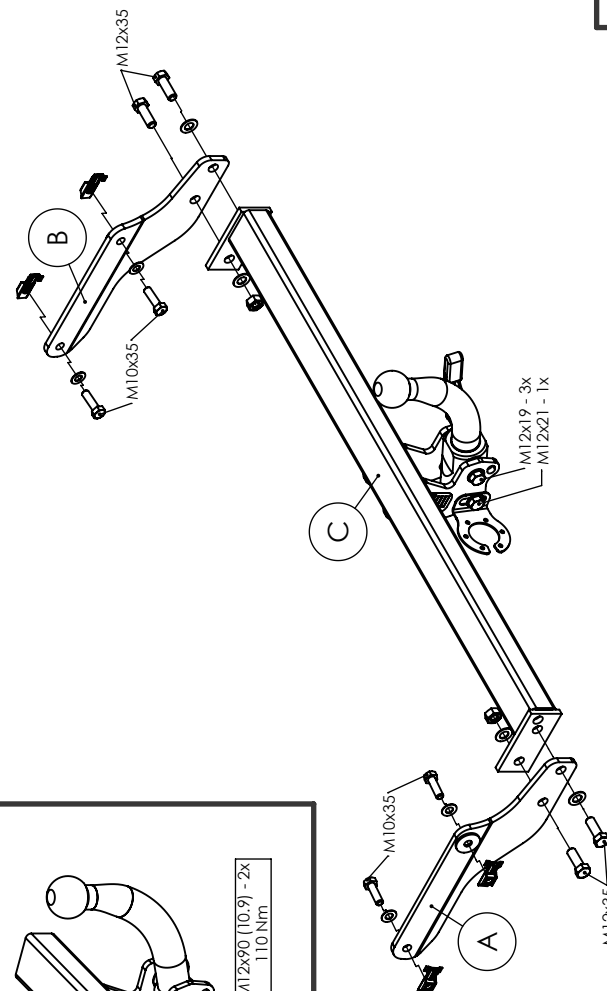
M12 - 4x (I)
M12 - 2x (C)



M10x35 - 4x
M12x35 - 4x
M12x90 - 2x (I)
M12x19 - 3x (C)
M12x21 - 1x (C)



M12x90 (10.9) - 2x
110 Nm



PEUGEOT 206
Kod: P0295(C) - 14. 5. 2023

IC 325 24 3



Location
Vlachy 142, 032 13 Vlachy



Phone
+ 421 44 55 93 434



Website
www.galia.sk



Email
galia@galia.sk



Location
Vlachy 142, 032 13 Vlachy



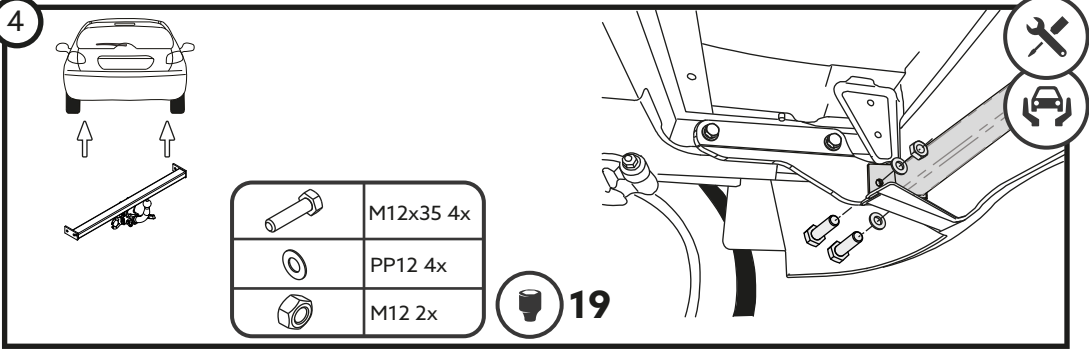
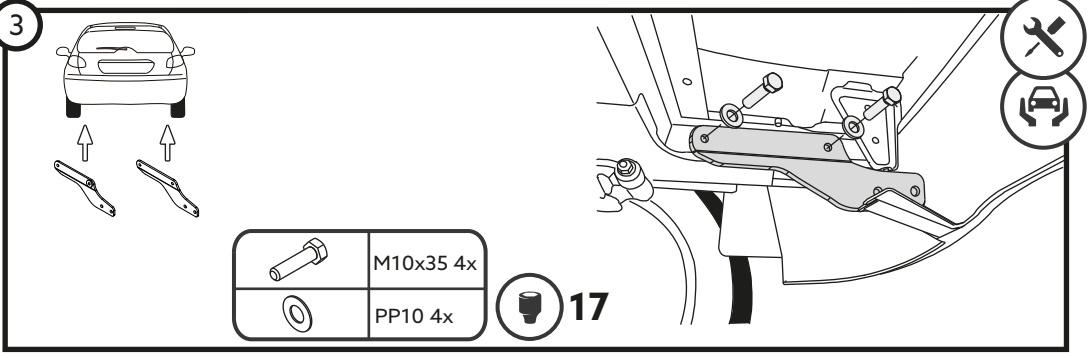
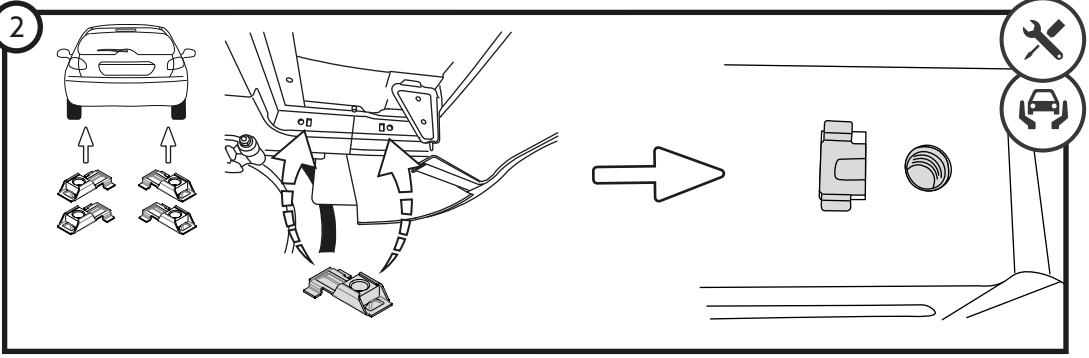
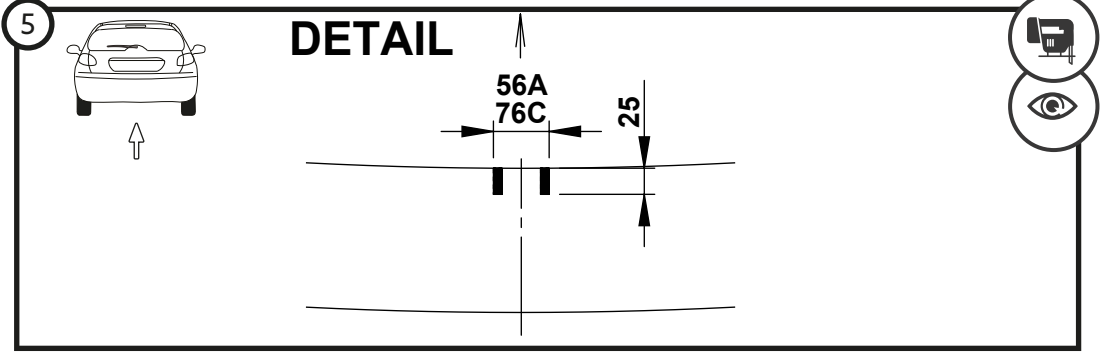
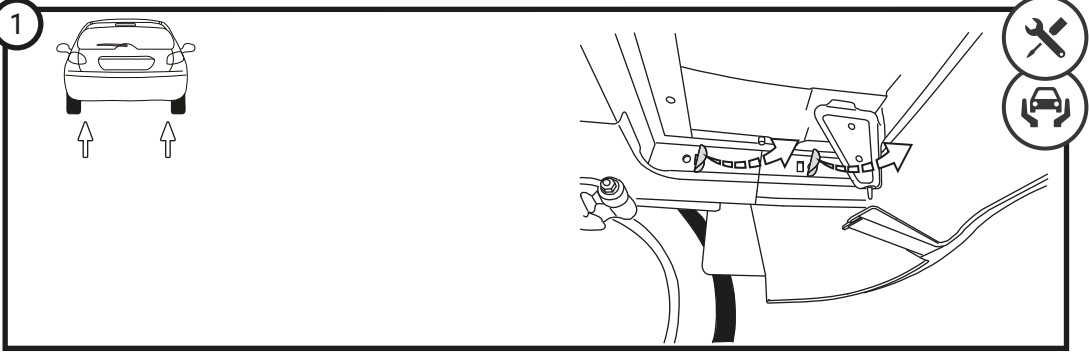
Phone
+ 421 44 55 93 434



Website
www.galia.sk



Email
galia@galia.sk



Location
Vlachy 142, 032 13 Vlachy



Phone
+ 421 44 55 93 434



Website
www.galia.sk



Email
galia@galia.sk



Location
Vlachy 142, 032 13 Vlachy



Phone
+ 421 44 55 93 434



Website
www.galia.sk



Email
galia@galia.sk