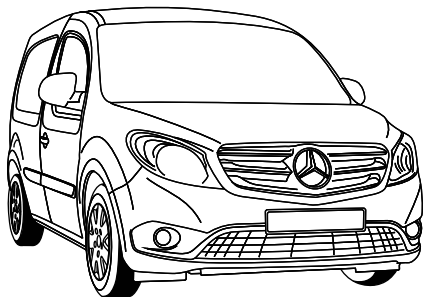




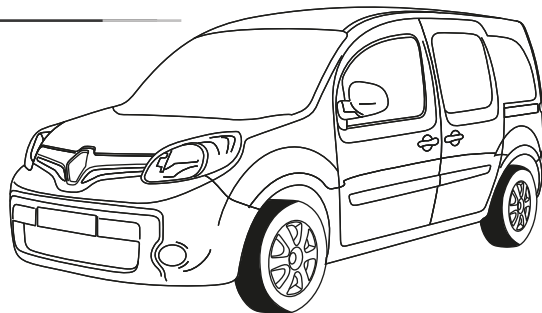
RENAULT Kangoo II
MERCEDES Citan



2008 - 2021
2012 - 2020



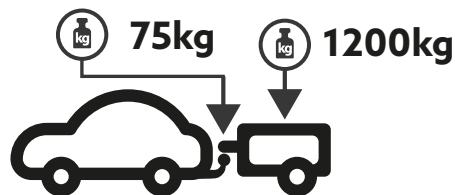
MERCEDES Citan



RENAULT Kangoo II

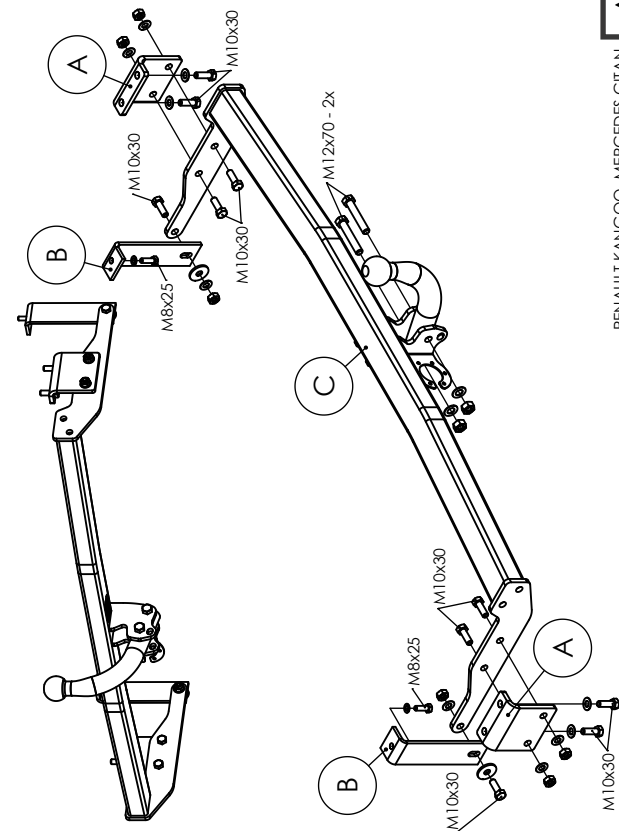
e27 | 01 0323

$$D = \frac{\text{MAX kg} \times \text{MAX kg}}{\text{MAX kg} + \text{MAX kg}} \times 0,00981$$



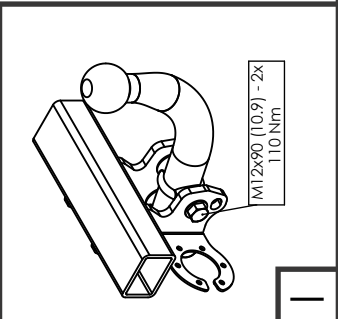
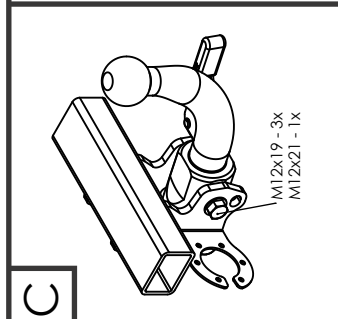
$$D = 7,56 \text{ kN}$$

- P10 - 2x
- PP8 - 2x
PP10 - 10x
PP12 - 2x (A, I)
PP12 - 4x (C)
- M10 - 6x
M12 - 2x (A, I)
- M8x25 - 2x
M10x30 - 10x
M12x70 - 2x (A)
M12x90 - 2x (I)
M12x19 - 3x (C)
M12x21 - 1x (C)
- M12x19 - 3x
M12x21 - 1x
- M12x90 (10.9) - 2x
110 Nm



A
RENAULT KANGOO - MERCEDES CITAN
Kód: R0865(A,I,C) - 27. 8. 2022

AIC 325 12 3



Location
Vlachy 142, 032 13 Vlachy



Phone
+ 421 44 55 93 434



Website
www.galia.sk



Email
galia@galia.sk



Location
Vlachy 142, 032 13 Vlachy



Phone
+ 421 44 55 93 434



Website
www.galia.sk



Email
galia@galia.sk

1

17

Wrench icon, Hand icon

5

	M10x30 2x
	P10 2x
	PP10 2x
	M10 2x

17

Wrench icon, Hand icon

2

	M8x25 2x
	PP8 2x

13

Wrench icon, Hand icon

3

	M10x30 4x
	PP10 4x

17

Wrench icon, Hand icon

4

	M10x30 4x
	PP10 4x
	M10 4x

17

Wrench icon, Hand icon