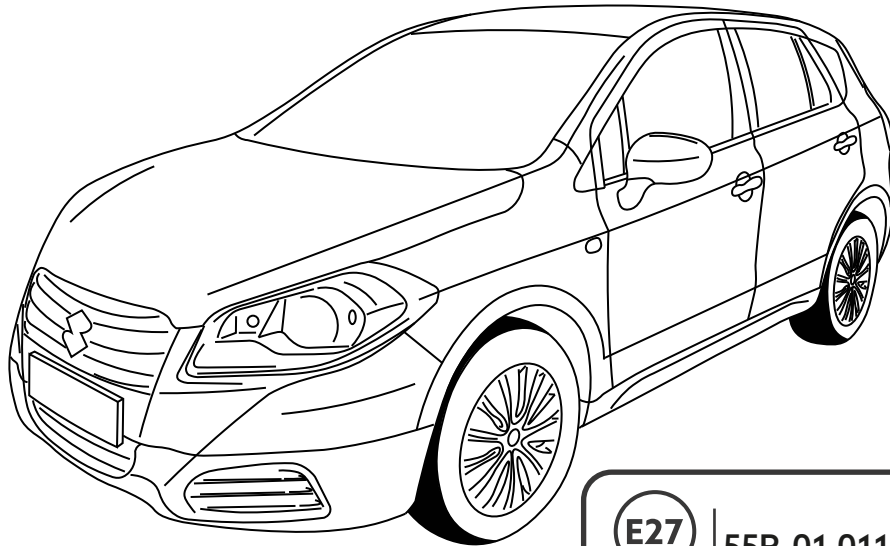




SUZUKI SX4 S-Cross  
htb.

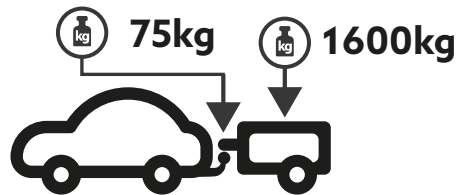


2013 - 2021



55R-01 0117 00

$$D = \frac{\text{MAX kg} \times \text{MAX kg}}{\text{MAX kg} + \text{MAX kg}} \times 0,00981$$



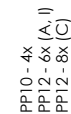
$$D = 8,72 \text{ kN}$$



D30x8 - 2x



D25x5 - 2x



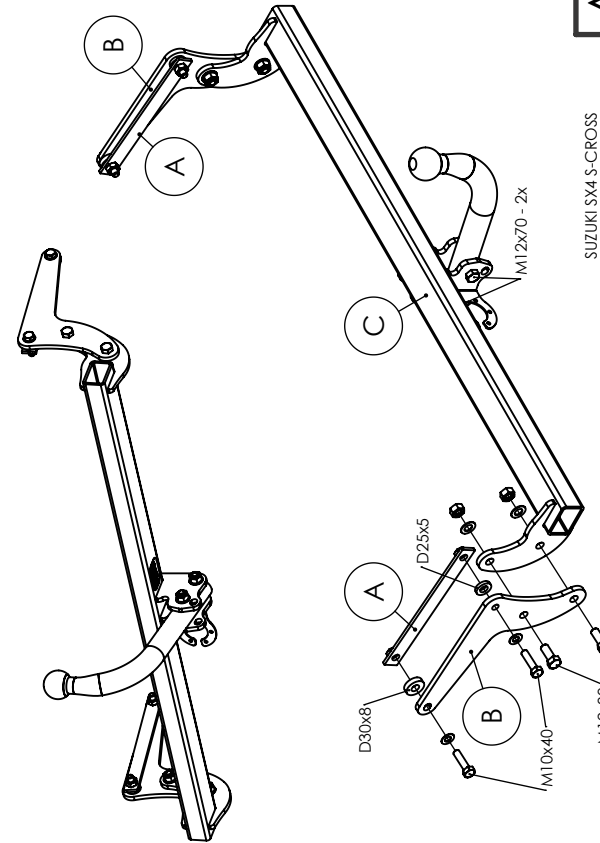
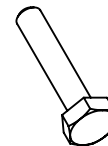
PP10 - 4x  
PP12 - 6x (A, I)  
PP12 - 8x (C)



M12 - 6x (A, I)  
M12 - 4x (C)



M10x40 - 4x  
M12x30 - 4x  
M12x70 - 2x (A)  
M12x90 - 2x (I)  
M12x19 - 3x (C)  
M12x21 - 1x (C)

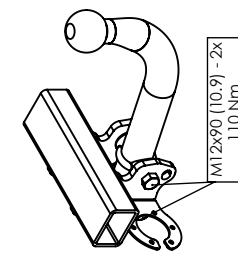
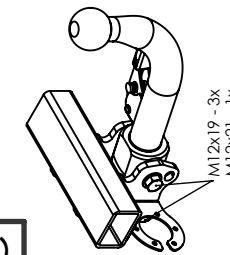


A

SUZUKI SX4 S-CROSS  
Kód: S1075(A,I,C) - 18. 3. 2022

IC 400 12.3

C



Location  
Vlachy 142, 032 13 Vlachy



Phone  
+ 421 44 55 93 434



Website  
www.galia.sk



Email  
galia@galia.sk



Location  
Vlachy 142, 032 13 Vlachy



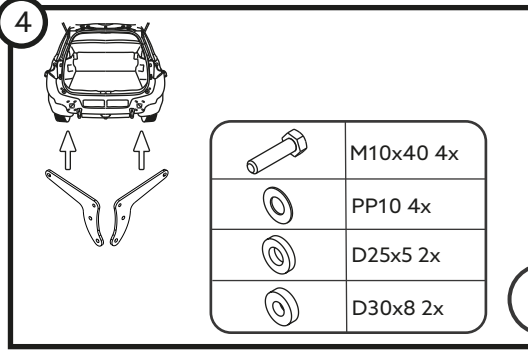
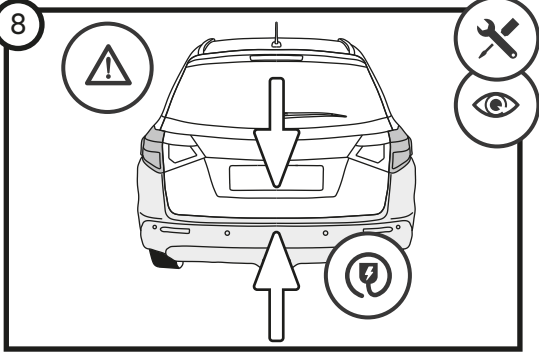
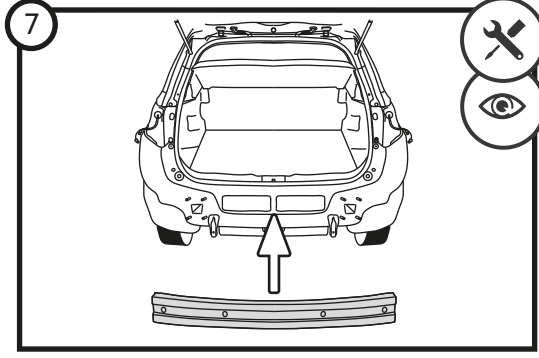
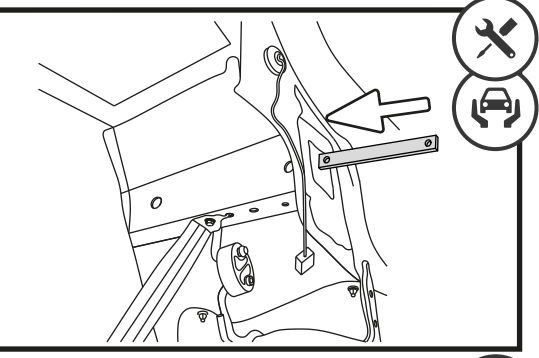
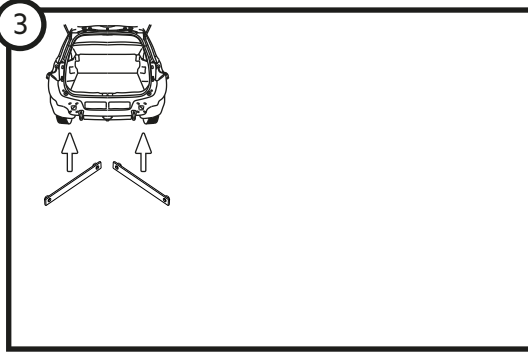
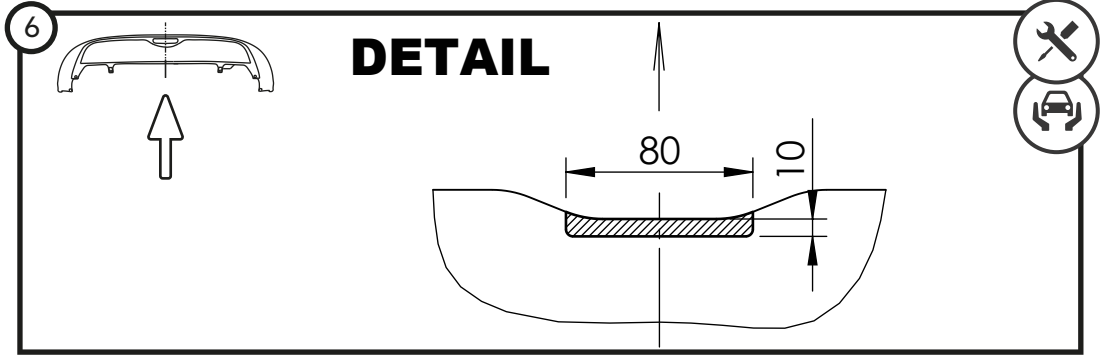
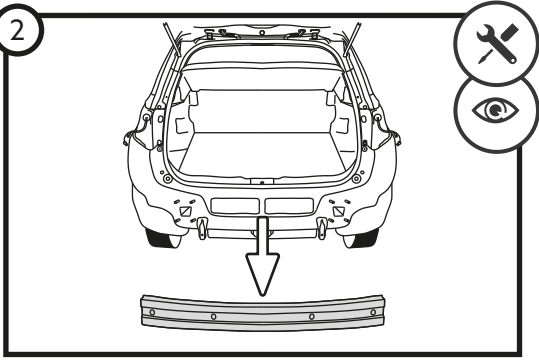
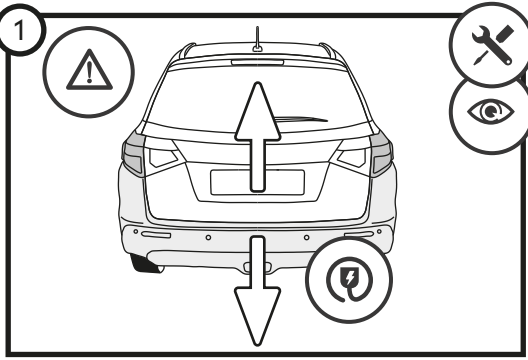
Phone  
+ 421 44 55 93 434



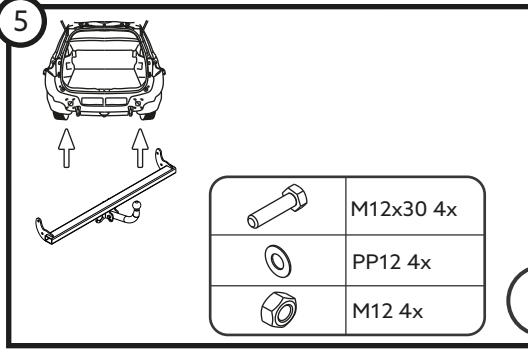
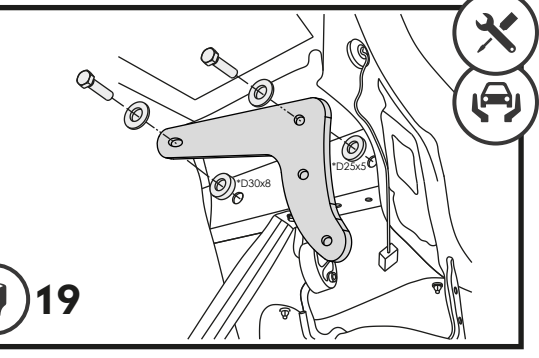
Website  
www.galia.sk



Email  
galia@galia.sk



	M10x40 4x
	PP10 4x
	D25x5 2x
	D30x8 2x



	M12x30 4x
	PP12 4x
	M12 4x

