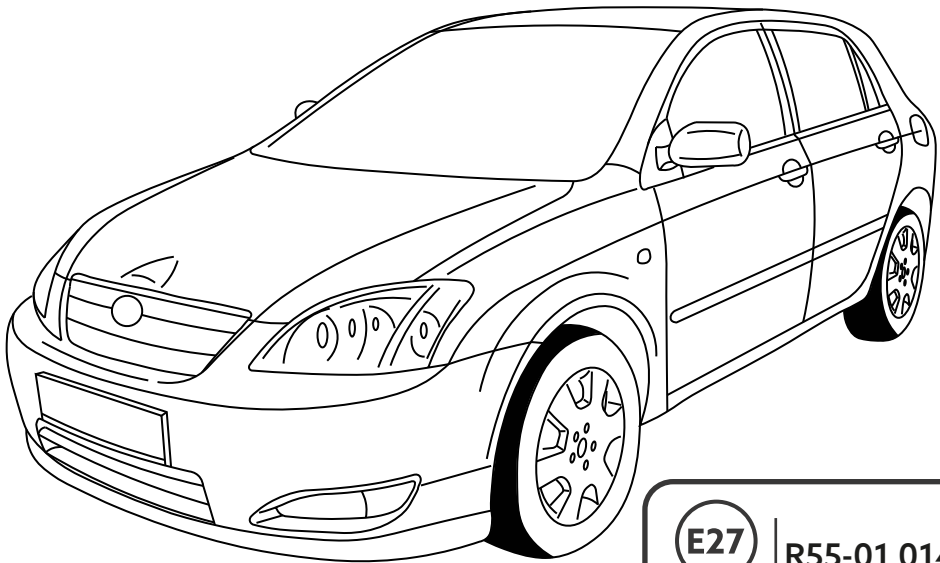




TOYOTA
Corolla
3dv, 5dv (E12)



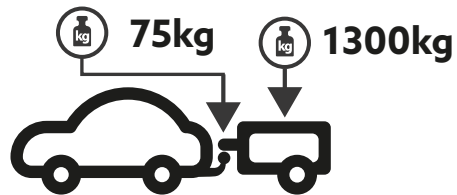
2002 - 2007



E27

R55-01 0144 00

$$D = \frac{\text{MAX kg} \times \text{MAX kg}}{\text{MAX kg} + \text{MAX kg}} \times 0,00981$$



$$D = 7.4 \text{ kN}$$

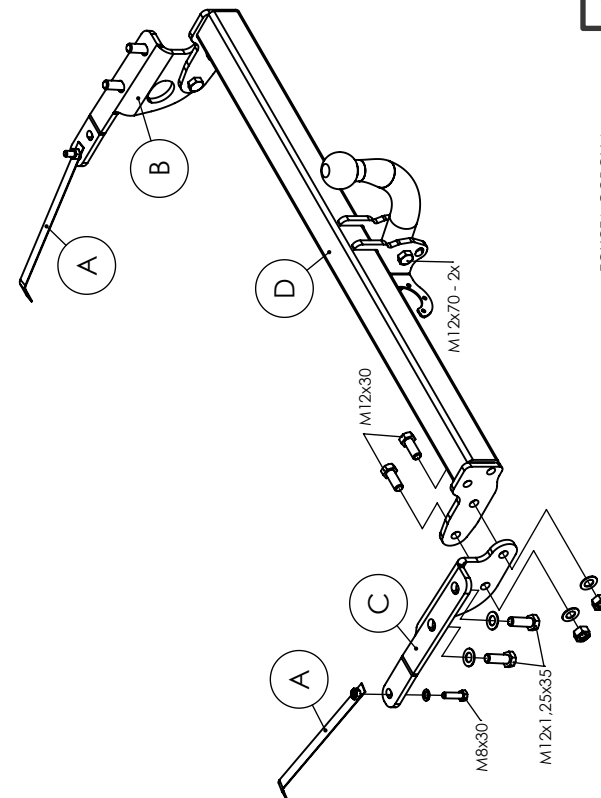
PP8 - 2x
PP12 - 10x (A, I)
PP12 - 12x (C)



M12 - 6x (A, I)
M12 - 4x (C)



M8x30 - 2x
M12x1,25x35 - 4x
M12x30 - 4x
M12x70 - 2x (A)
M12x90 - 2x (I)
M12x19 - 3x (C)
M12x21 - 1x (C)

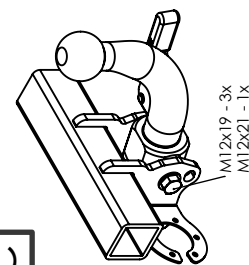


A

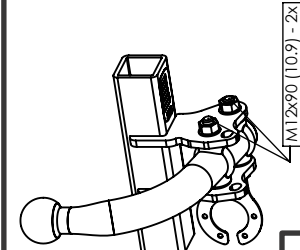
TOYOTA COROLLA
Kód: T0675(A,I,C) 1. 11. 2022

AIC 325 12 3

C



I



Location
Vlachy 142, 032 13 Vlachy



Phone
+ 421 44 55 93 434



Website
www.galia.sk



Email
galia@galia.sk



Location
Vlachy 142, 032 13 Vlachy



Phone
+ 421 44 55 93 434



Website
www.galia.sk



Email
galia@galia.sk

